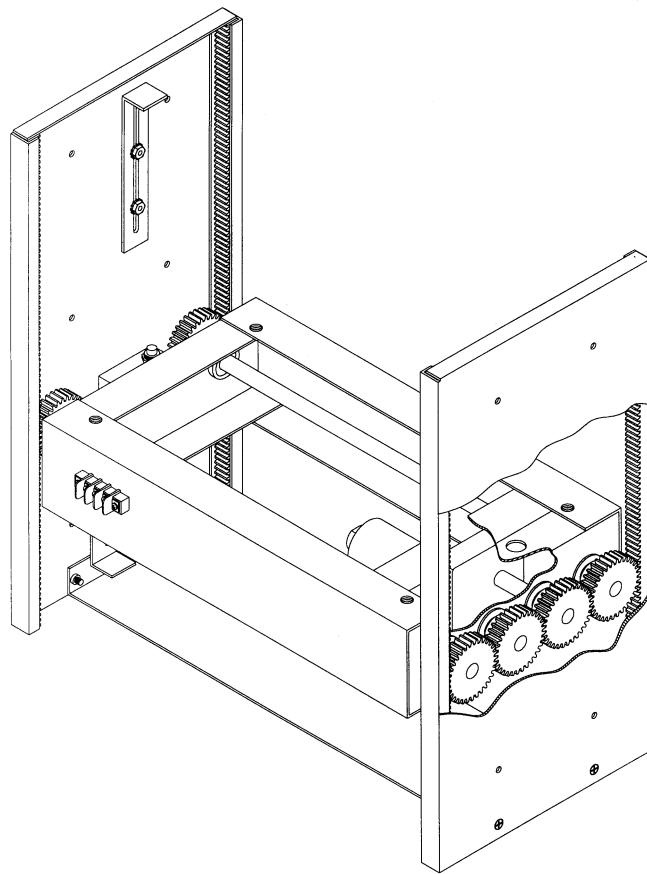




**SUBCOMPACT 12 VDC LIFT
P/N 900025-SCD-C**

1632-1/2 West 134th Street, Gardena, California 90249
(310) 808-0001 Fax (310) 808-9092 email: inca@inca-tvlifts.com

The Subcompact 12 VDC drive lift operates through a powerful 12 VDC direct drive motor and can lift objects that weigh up to 25 lbs. The lift is all aluminum construction and is 18"OAW x 9"OAD x 18"OAH. The platform is 15.625"W x 9"D x 3.5"H. The lift draws 1.7 Amps at full load on 12 VDC. The power and control signals are connected through a terminal strip on the side of the lift, which allows (up) 12 VDC +, common -, and (down) 12 VDC + signal to instruct the lift to move in the desired direction. An "on board" built in power controller will raise the lift when the 12 VDC is applied to the signal terminal. It will also store the unit when the 12 VDC UP signal is not present.



ITEM NUMBER	DESCRIPTION	WIDTH	DEPTH	HEIGHT	LIFT CAPACITY
900025-SCD-C	Subcompact 12 VDC Lift	18.00"	9.00"	18.00"	25 lbs.

SUBCOMPACT 12 VDC LIFT
P/N 900025-SCD-C

