

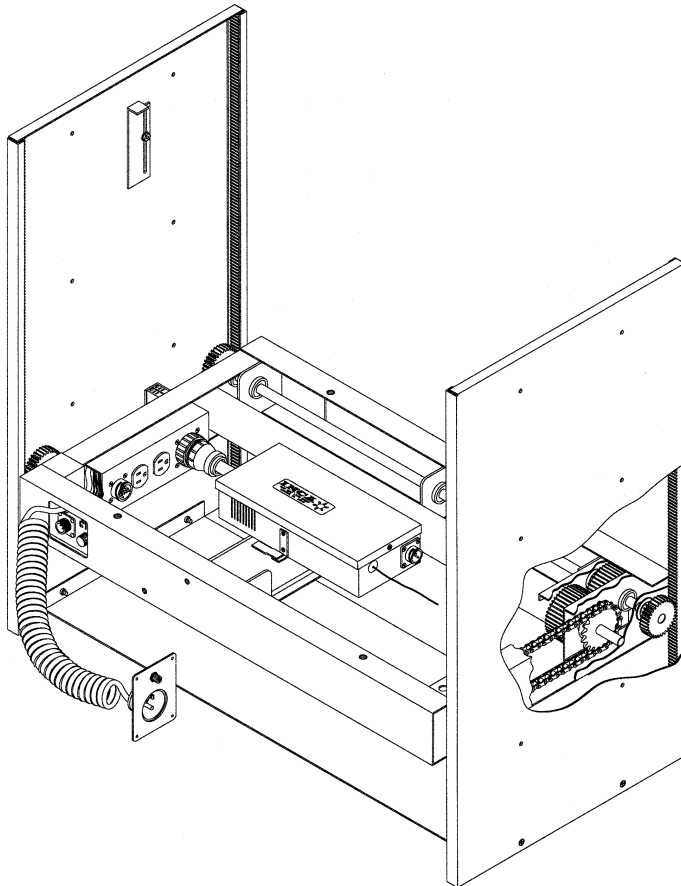


**TV LIFT
P/N 900100-450**

1632-1/2 West 134th Street, Gardena, California 90249
(310) 808-0001 Fax (310) 808-9092 www.inca-tvlifts.com

Inca TV Lifts are rack and pinion motorized machines that are specifically designed to lift televisions out of concealed locations such as cabinets, furniture, ceilings etc. They are fabricated from aircraft aluminum. Universal junction boxes (UJBX) are provided for each lift which house a duplex plug for

auxiliary power for televisions, VCRs etc. In addition, the junction box has both a 16 and 24-pin aircraft screw-on, multi-pin connector. This is provided to allow attachment of any accessory or control option that Inca manufactures. The pre-wired flexibility makes the installation or replacement of diverse accessories and controllers easy and reliable. Connectors are provided to attach any accessory or control option. These units are also lightweight corrosion resistant and strong. They are available in small versions that run on 12 VDC and lift only 12 pounds to large steel structures with multiple motors and transmissions that can easily lift 1400 pounds. All electrical connections are achieved through reliable aircraft rated, multi-pin screw on connectors.

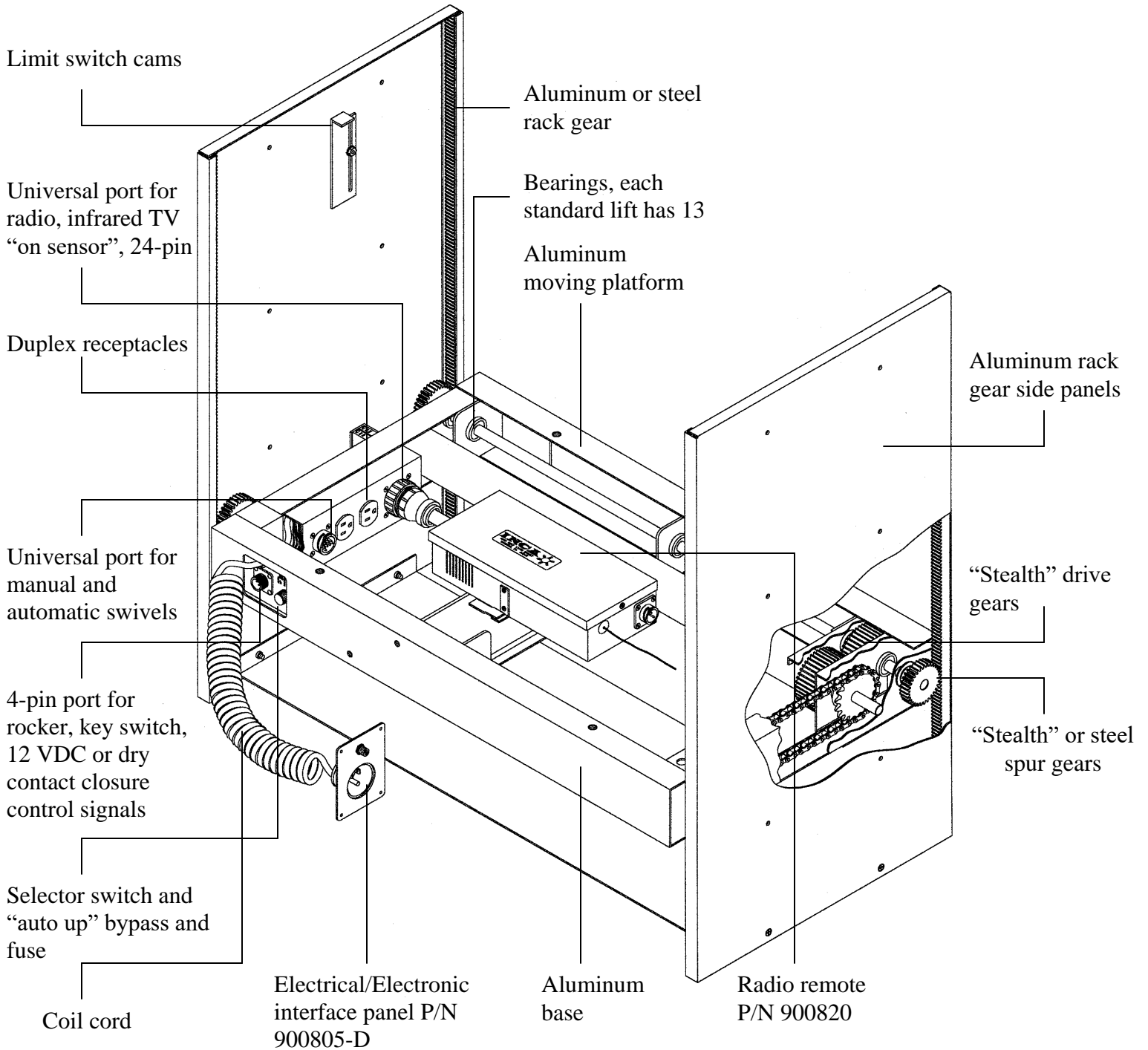


*Lift Controllers must be ordered separately, unless they are included with accessories that will be used on the lift.

ITEM NUMBER	DESCRIPTION	WIDTH	DEPTH	HEIGHT	NET TRAVEL	CAPACITY
900100	Compact	24.000"	17.000"	24.000"	20.5"	100 lbs.
900200	Standard	31.625"	17.000"	30.000"	26.5"	200 lbs.
900300	Moderate	40.625"	17.000"	34.500"	31.0"	300 lbs.
900400	Custom	Custom-made	Any	Any	Any	Any
900450	Heavy	42.000"	17.000"	37.000"	33.0"	450 lbs.

Unit is shown with radio remote control and interface panel attached

TV LIFT 900100-450



Unit is shown with radio remote controller 900820 and electrical/electronic interface panel 900805-D, both of which are accessories.