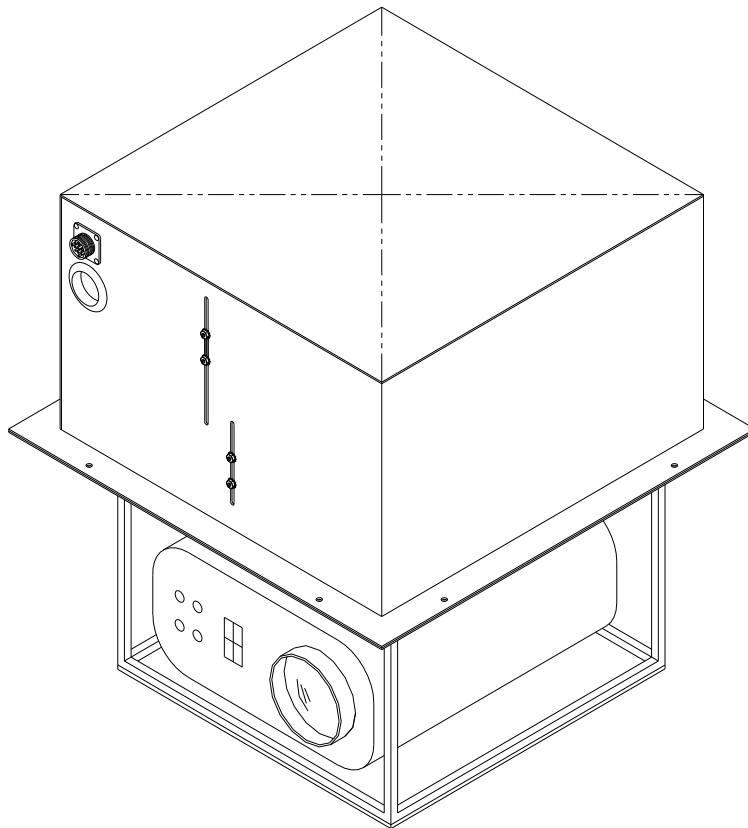




# ULTRA SILENT LCD PROJECTOR LIFT P/N 900411-LCD

1632-1/2 West 134<sup>th</sup> Street, Gardena, California 90249  
(310) 808-0001 Fax (310) 808-9092 [www.inca-tvlifts.com](http://www.inca-tvlifts.com)

The LCD Projector Lift is a 110 VAC powered lift. It is specifically designed to move compact LCD projectors that weigh 50 lbs. or less that are 16.75”W x 17.50”D x 13.375”H or less in size. The rack and pinion drive lowers an internal platform on command. The unit has an external J-Box that permits the connection of any number of controllers, including: dry contact, switch, 12 VDC, RF, or Infrared Transponder system. The model 2 is designed to fit in the normal space between the ceiling and the floor above. External upper and lower limit switches are fully adjustable from outside the unit. The efficient ‘ultra silent’ motor only draws 1.5A at full load. The direct drive system, with positive independent stopping cams, ensures that the LCD stops and the projector deploys in the same position every time, reducing the need for multiple altitude adjustments.



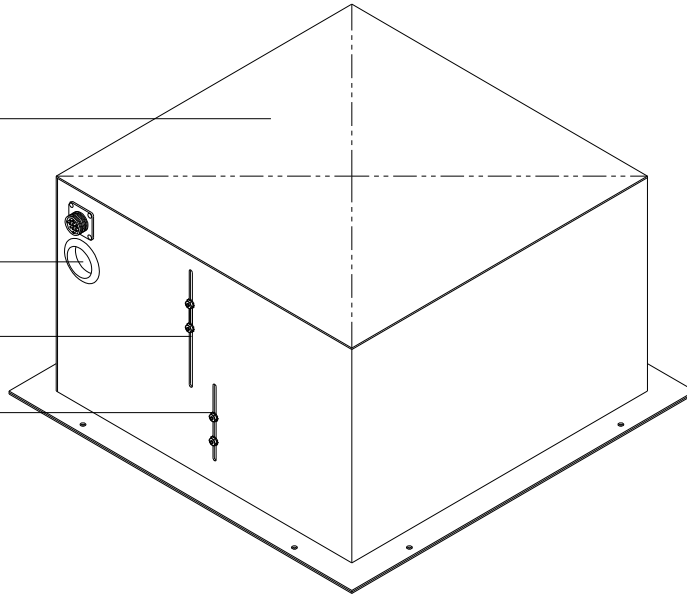
ITEM NUMBER	WIDTH	DEPTH	HEIGHT	USEABLE INTERNAL HEIGHT
900411-LCD-1US	21.275”	20.000”	18.875”	13.375”
900411-LCD-2US	21.275”	20.000”	11.375”	6.250”
900411-LCD-400-US	21.275”	20.000”	Varies	Varies

# ULTRA SILENT LCD PROJECTOR LIFT P/N 900411-LCD

ALL ALUMINUM ENCLOSURE  
(0.080" THICK)

LARGE 1.875" ID GROMMETED  
PORT FOR CUSTOMER'S CABLES

INDEPENDENTLY AND  
EXTERNALLY ADJUSTABLE  
UPPER AND LOWER  
STOPPING CAMS



DEDICATED CABLE TRAY FOR  
INCA CABLES TO CONTROL LIFT

CABLE TRAY FOR  
CUSTOMER'S CABLES

ALUMINUM LINEAR  
RACK GEAR

ULTRA SILENT  
MOTOR

ALUMINUM  
MOVING  
PLATFORM

0.160 ALUMINUM  
MOUNTING FLANGE  
1.375" ALL AROUND

DIRECT DRIVE SYSTEM EMPLOYING  
INCA DEVELOPED 'STEALTH' GLASS  
FILLED PHENOLIC GEARING FOR  
SILENT AND SMOOTH OPERATION

