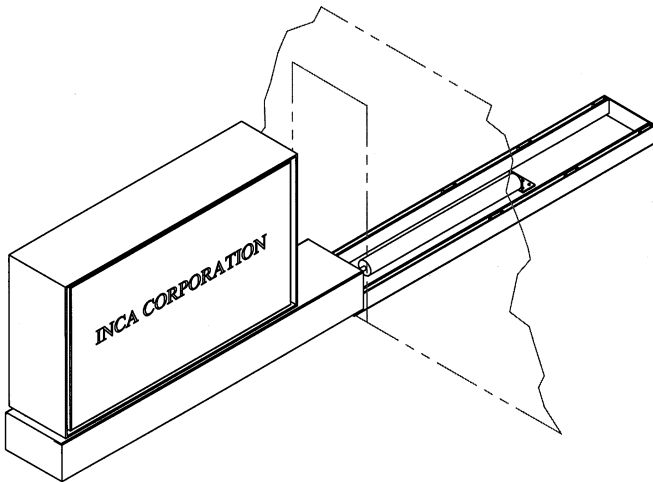
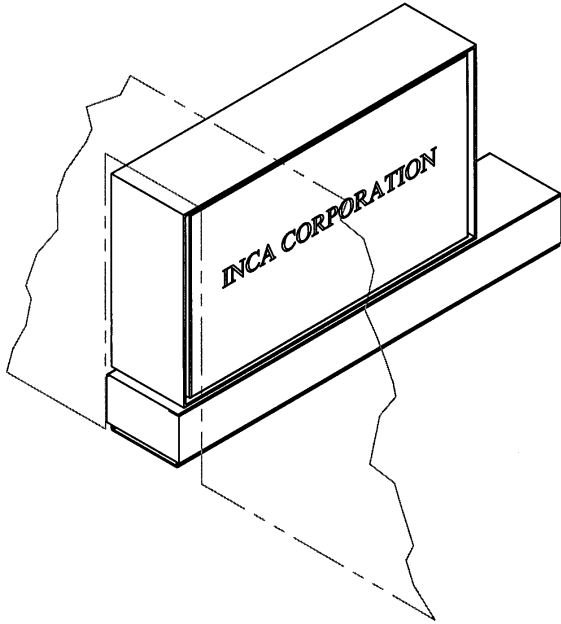




FLATSCREEN SIDESLIDER PULLOUT P/N 900500-400-SSP

1632-1/2 West 134th Street, Gardena, California 90249
(310) 808-0001 Fax (310) 808-9092 www.inca-tvlifts.com



The Flat screen side-slider automatic remote operated pullout mechanism, P/N 900500-400-SSP is designed to hold flat screens and extract them from concealments for easy viewing. This machine is fully motorized. The suspension is accomplished by a unique system of steel slides, which are manufactured by Inca Corporation solely for this purpose. The external junction box on 25' of cable permits the attachment of any control option, from simple switch to infrared, radio remote, 12 VDC or programmed dry contact closure from a touch-screen system. Internal rolling cable trays accommodate and manage your TV signal and power cables during motion. Custom sizes are readily available. This unit is shipped fully assembled, crated, and ready for installation.

ITEM NUMBER	DESCRIPTION	WIDTH	DEPTH	HEIGHT	EXTENSION	CAPACITY
900500-400-SSP	Custom Sideslider Pullout	Varies	9.50"	6.125"	Varies	150 LBS.