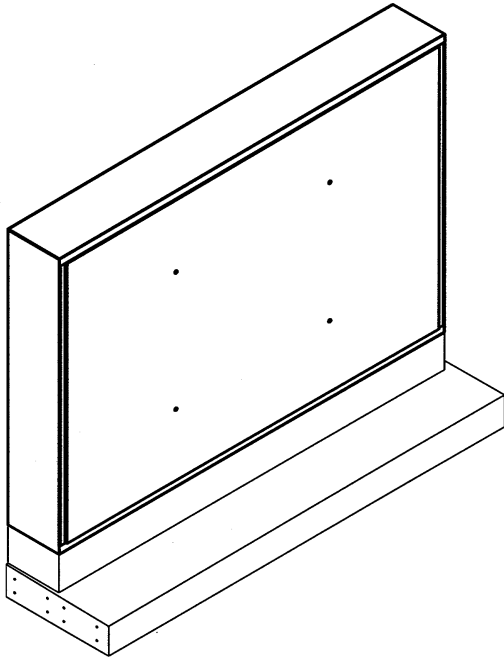


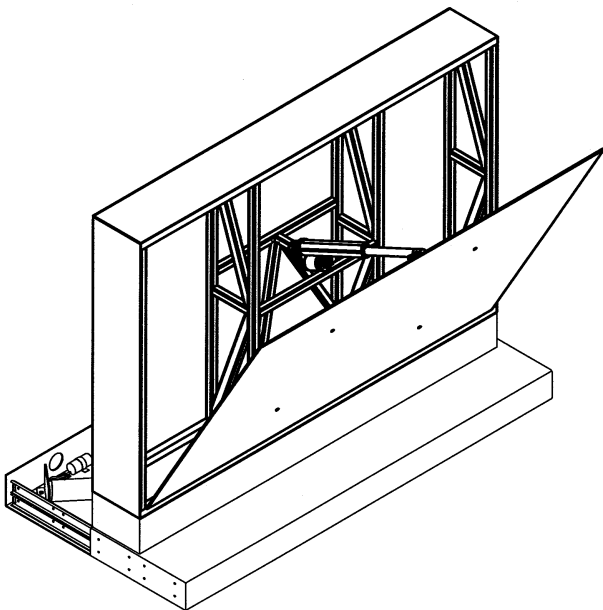


**FLAT SCREEN TV MOTORIZED PULLOUT
AND TILT
P/N 900500-POT**

1632-1/2 West 134th Street, Gardena, California 90249
(310) 808-0001 Fax (310) 808-9092 www.inca-tvlifts.com



The Inca Flat screen TV Motorized Pullout and Tilt, P/N 900500-POT, is available in a number of sizes to accommodate small to large size flat screen TVs. This machine includes a heavy, 0.125" thick, CRS motorized slide-opening base. The motorized tilting plate is mounted on the moving base, which in turn supports the flat screen or the enclosure holding the TV. The tilting plate is fabricated from heavy gage, 0.125" thick steel, and is pre-punched to accept the attachment of the appropriate size Inca mounting system, P/N 900814-412-X. This is only an option.



The tilting plate is stored in a rigid 6" thick enclosure that is covered with steel sheet and finished in semi-gloss, black, baked on epoxy enamel. The motorized sliding pullout base extends 12", but can be adjusted to extend less. The remotely operated tilting plate can be set to stop at any point in its travel by the adjustment of magnetic cams from 2° to a 30° forward tilt. The remote controller can stop the tilting action at any point before the default stop set point.

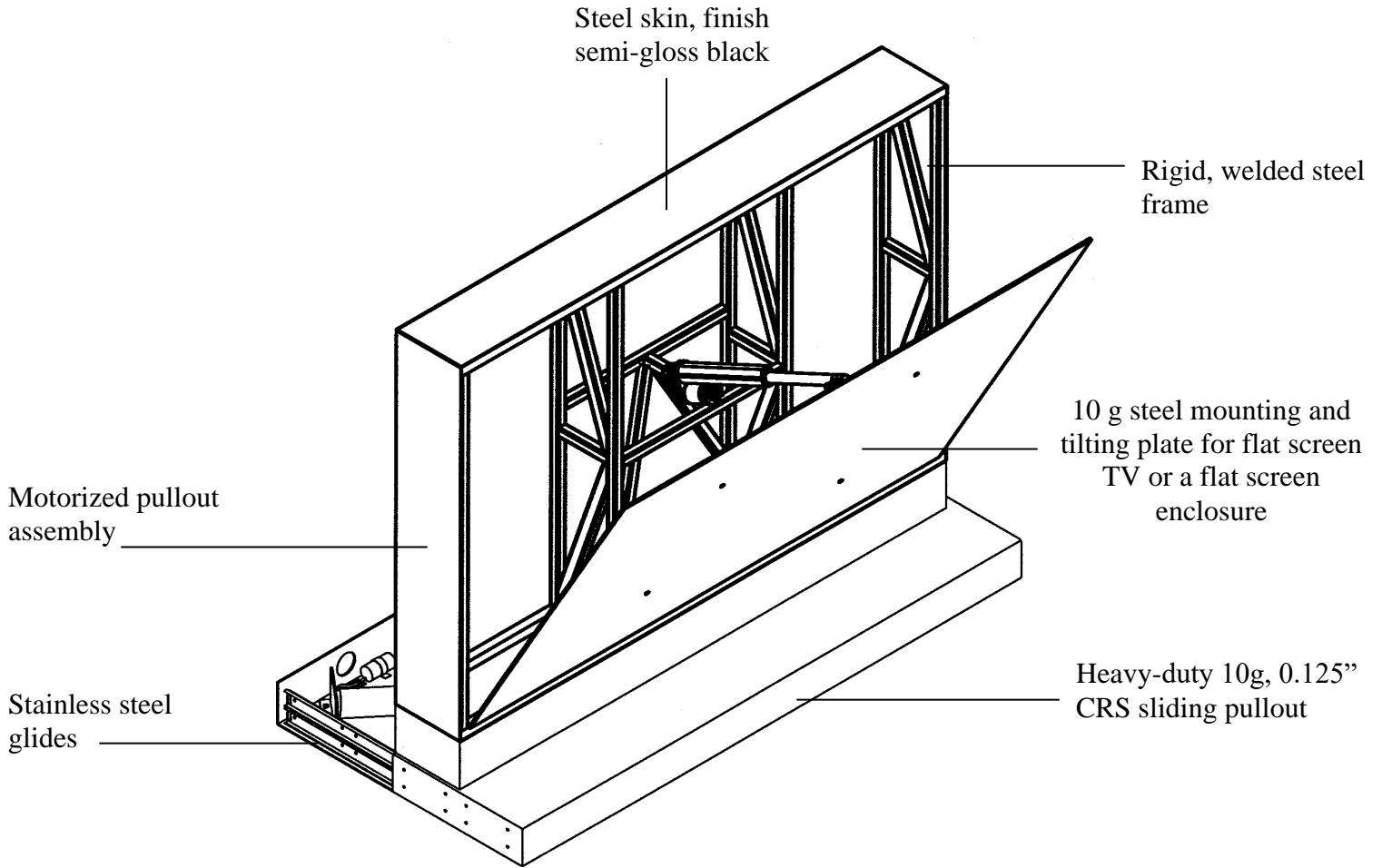
Each unit is wired, universal junction box, which means it will accept any one of the Inca controllers used to operate automation machines. Controllers include: rocker switches, radio remote controls, infrared transponder control systems, 12 VDC and dry contact controllers.

Each unit is shipped, crated, and fully assembled, ready for installation.

ITEM NUMBER	WIDTH	DEPTH	HEIGHT	APPLICATION	CAPACITY	EXTENSION	MAXIMUM TILT
900500-POT-1	19.25"	13.00"	21.375"	Flat screens up to 30"	100 lbs.	12.00"	30°
900500-POT-2	23.25"	13.00"	24.625"	Flat screens up to 39"	200 lbs.	12.00"	30°
900500-POT-3	27.25"	13.00"	27.875"	Flat screens up to	250 lbs.	12.00"	30°

				42"			
900500-POT-4	31.00"	13.00"	27.875"	Flat screens up to 50"	300 lbs.	12.00"	30°
900500-POT-5	41.00"	13.00"	30.00"	Flat screens up to 61"	350 lbs.	12.00"	30°

FLAT SCREEN TV MOTORIZED PULLOUT AND TILT
P/N 900500-POT



External j-box to connect controllers, access fuse, attach to house power, select controllers, and "auto-up" button

