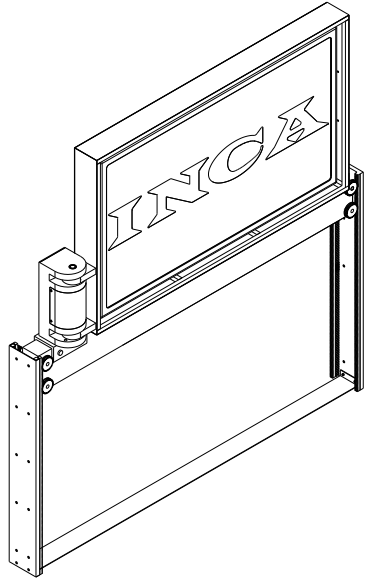




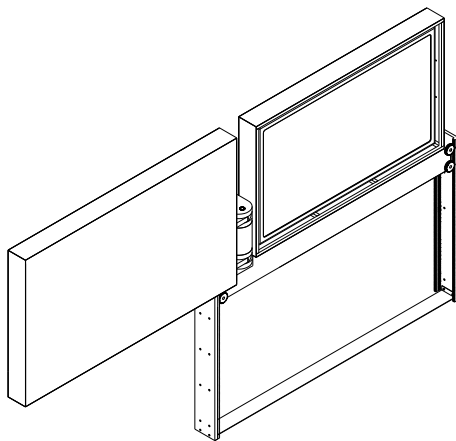
FLAT SCREEN TV CUSTOM ULTRA STABLE, LIFT MOUNTED MANUAL CORNER POST SWIVEL P/N 900801-5

**1632-1/2 West 134th Street, Gardena, California 90249
(310) 808-0001 Fax (310) 808-9092 www.inca-tvlifts.com**

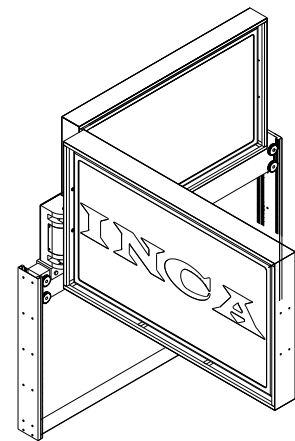


The Flat Screen TV Manual Corner Post Swivel 900801-5* is a robust, heavy duty, lift mounted machine that is designed to suspend a full size flatscreen tv from one edge and swivel it out to any convenient viewing angle. The heavy duty CRS base that mounts on the custom Ultra Stable Lift can be installed to provide a 90° or 180° turn. Controls are connected to the system via an external junction box and articulating cable. The external J-box houses the fuse and ports for connecting controllers and an override switch to force the lift to come up if the controller needs service. Control options include single channel RF, or a touch-screen interface controller that accepts programmed dry contact closure or 12 VDC commands. Each swivel assembly is designed to accept a TV enclosure either made by INCA or not, and to attach the TV and enclosure to the swivel assembly.

If they are all ordered together, the custom Ultra Stable Lift is mounted and crated with the swivel system along with the TV Enclosure.



180° VIEWING ANGLE ROTATION



90° VIEWING ANGLE ROTATION

ITEM NUMBER	DESCRIPTION	WIDTH	DEPTH	HEIGHT
900814-400M	Custom Ultra Stable Lift	VARIES	9.500"	VARIES
900801-5	Manual Corner Post Swivel	5.250"	5.000"	12.380"
900814-400-REN-C	Custom TV Enclosure	VARIES	VARIES	VARIES

* These units are also available in stainless steel

