

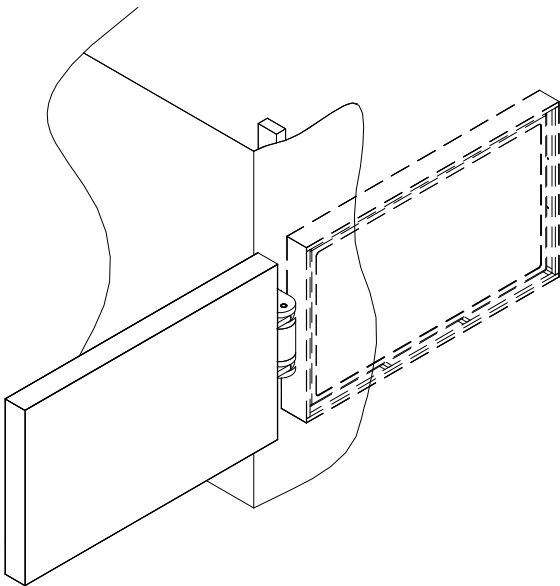
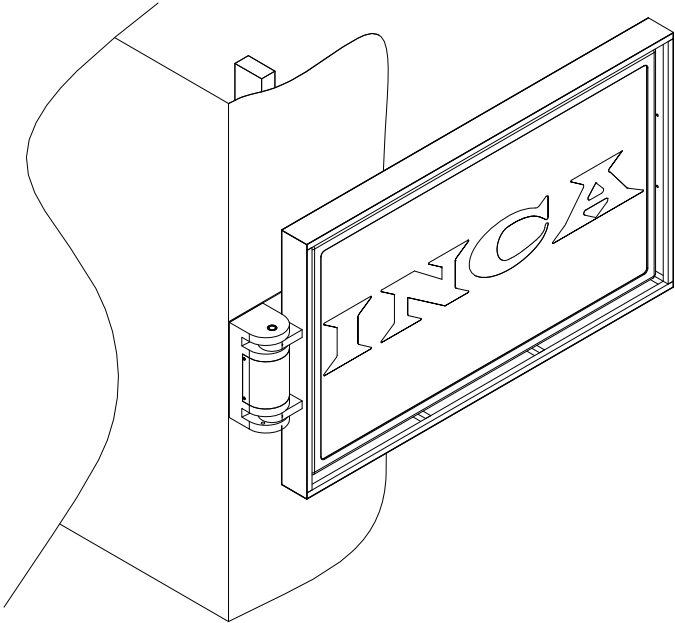


**FLAT SCREEN TV WALL MOUNTED CORNER
POST MANUAL SWIVEL
P/N 900801-53W**

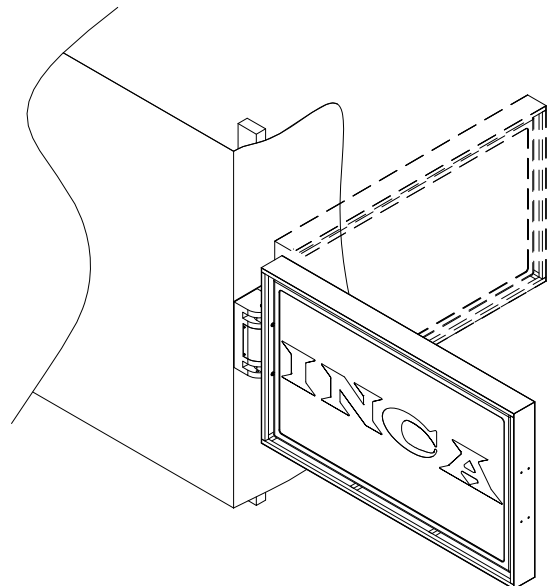
**1632 1/2 West 134th Street, Gardena, California 90249
(310) 808-0001 Fax (310) 808-9092 www.inca-tvlifts.com**

The Flat Screen TV Wall Mounted Corner Post Manual Swivel, P/N 900801-53W is a robust, heavy bearing unit that will hold flat screen TVs that are up to 90" in size, from one edge, in an enclosure or mounting plate. The machine is built to tolerate pushing on the swivel.

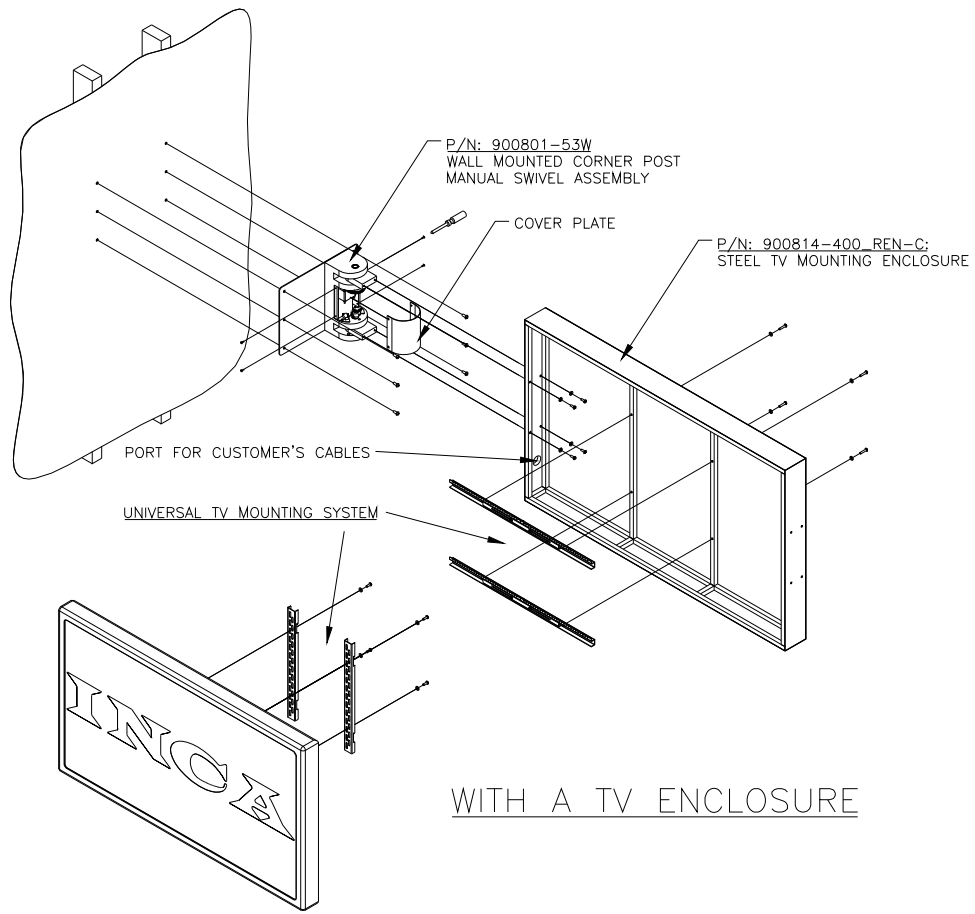
The motion of the machine encompasses a full 180. Included with each unit is a complete mounting frame system with all of the necessary attachment hardware, to mount in a custom fabricated Enclosure. Inca can provide this enclosure upon request as an optional accessory. Inca can also manufacture this unit from stainless steel for marine application (for use on a yacht) as a special order item.



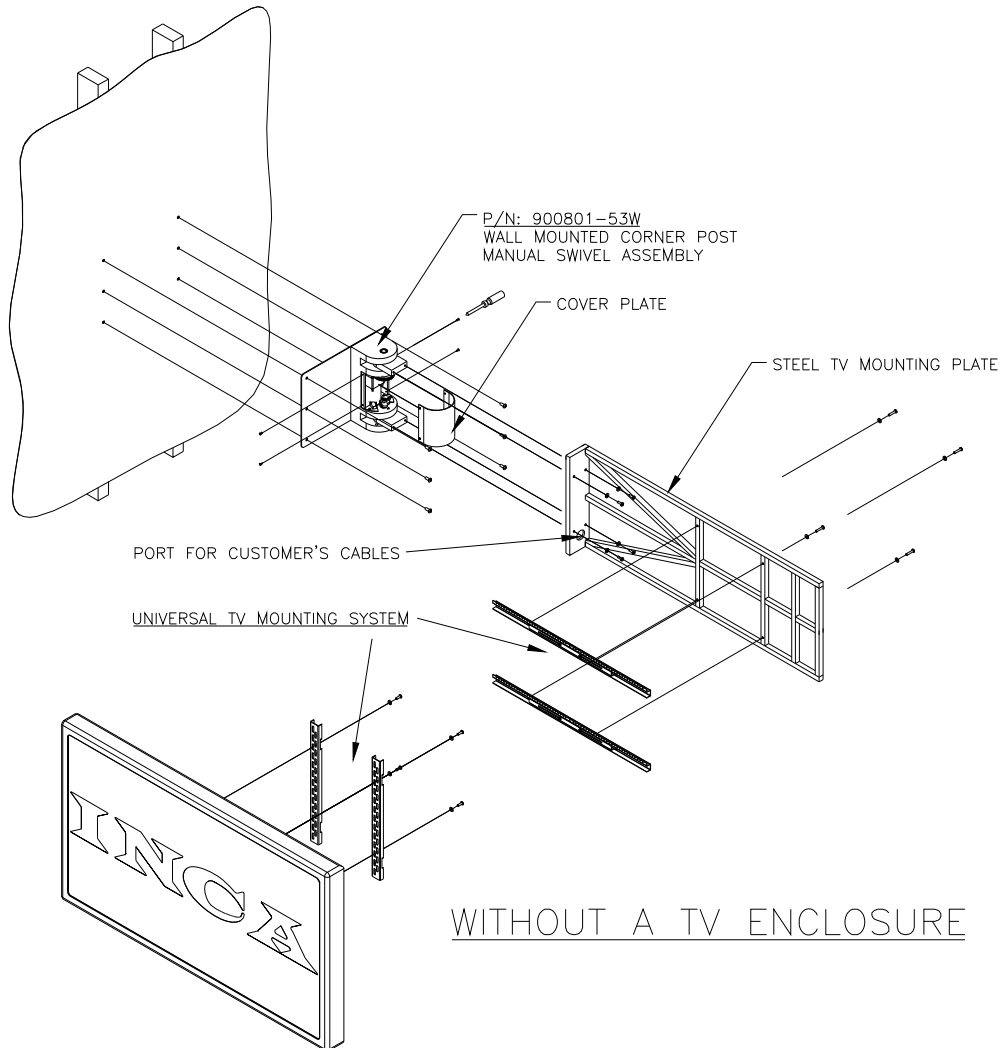
180° VIEWING ANGLE ROTATION



90° VIEWING ANGLE ROTATION



WITH A TV ENCLOSURE



WITHOUT A TV ENCLOSURE