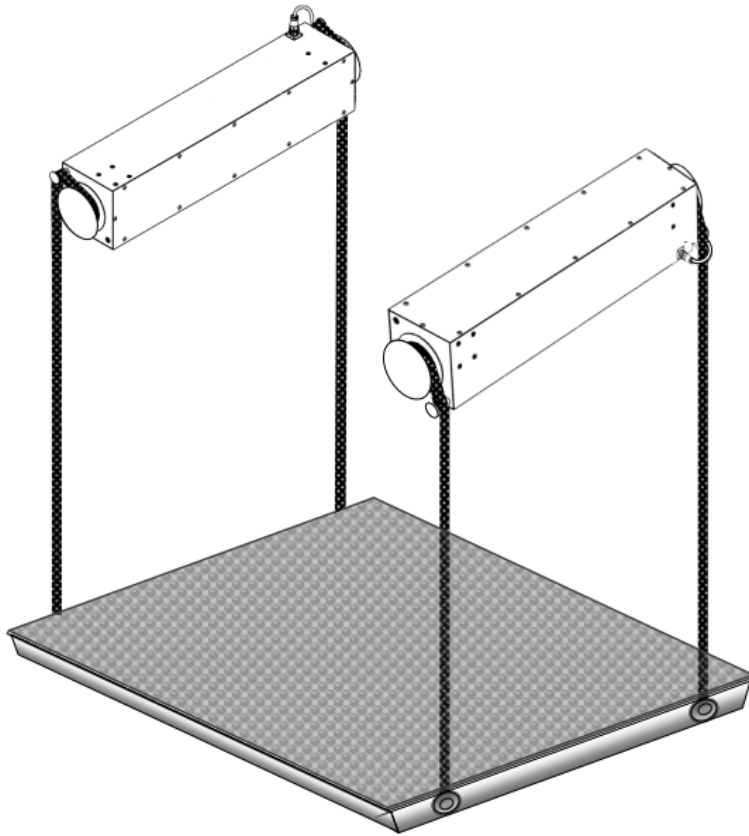




STORAGE LIFT P/N 900808-STG

1632 1/2 West 134th Street, Gardena, California 90249
 (310) 808-0001 : Email: inca@inca-tvlifts.com
 Website: www.inca-tvlifts.com

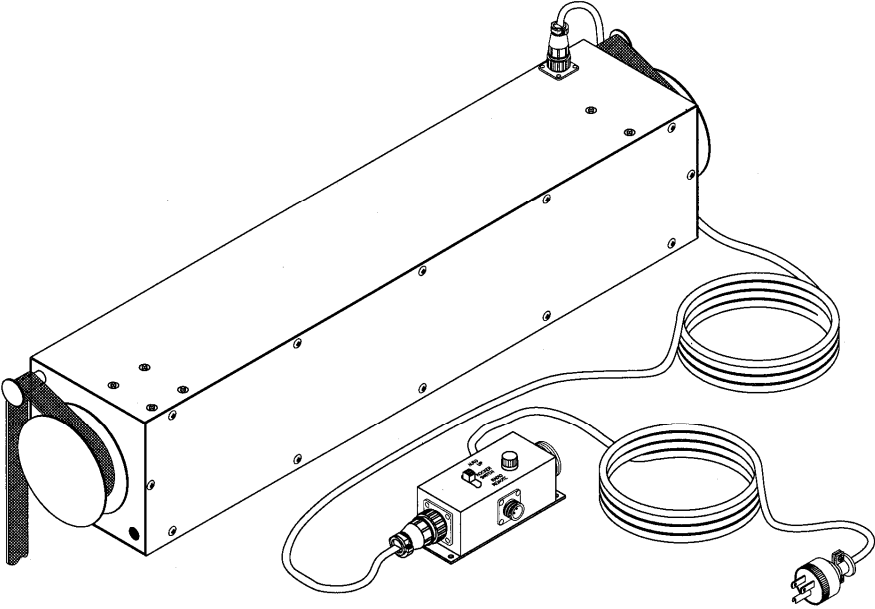
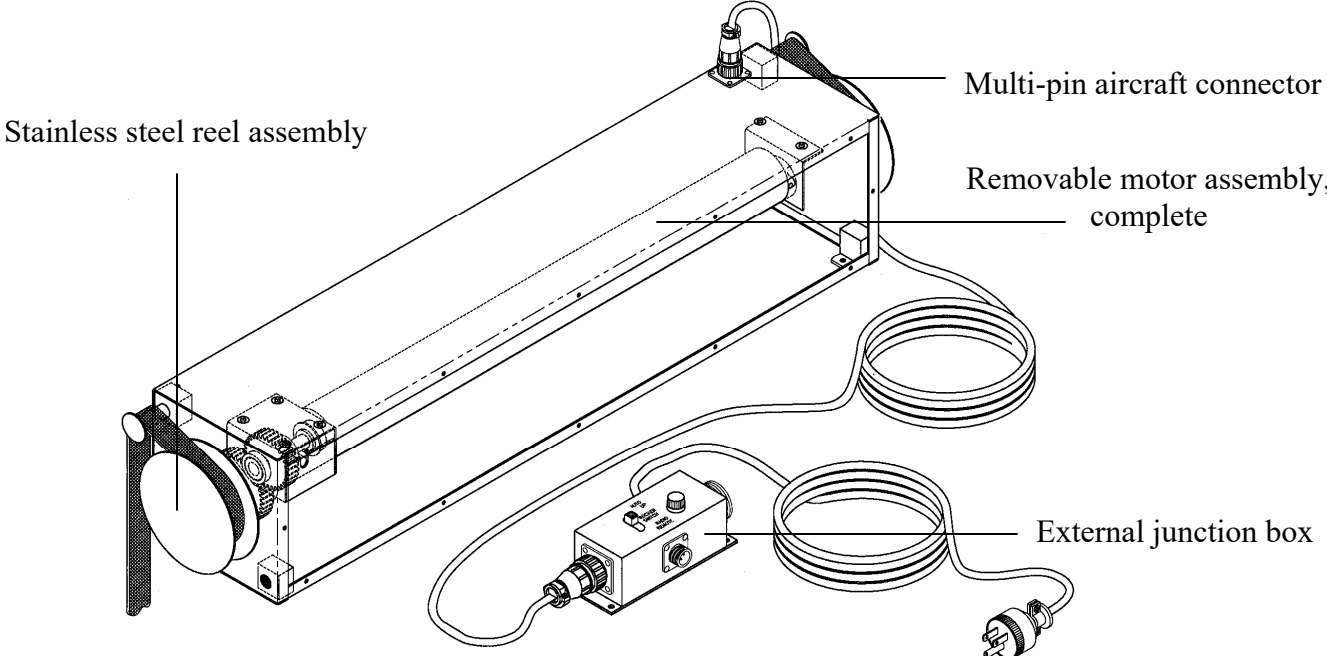


The Storage Lift Assembly is specifically designed to store raise and lower objects at or near the ceiling in a room or garage, to create space underneath. It is composed of two motorized lifts side by side with a steel mesh enclosure to hold the items. The lift systems are fabricated from 300-series stainless steel. They are available in 3 models: 6" x 6", 4" x 4" in size, with a load capacity of 200 lbs. Each system is fitted with an external junction box on a 25' cable to facilitate the connection of any selected controller. On the external j-box is the fuse and automatic bypass switch to make the machine operate open if a controller fails. All connectors are aircraft multi-pin high reliability components. Limit switches are

set by removing the front cover and adjusting the stop points. This lift is designed to be field repairable. By removing six screws, the entire motor assembly can be easily removed for simple replacement, without having to demount the machine. Accessory pulley wheels are also included with each machine. The pulley wheels, when installed, permit the lifting belts to be located right on the face of the machine for a flush mount tight tolerance installation.

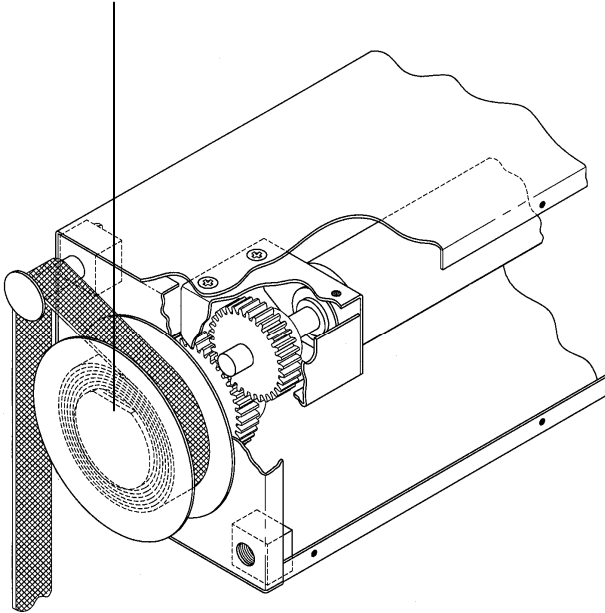
ITEM NUMBER	DESCRIPTION	OVERALL WIDTH	DEPTH	OVERALL HEIGHT	LIFT CAPACITY
900808-STG-1	Storage Lift	Custom	Custom	Custom	200 lbs.

STORAGE LIFT ASSEMBLY
P/N 900808-STG-1



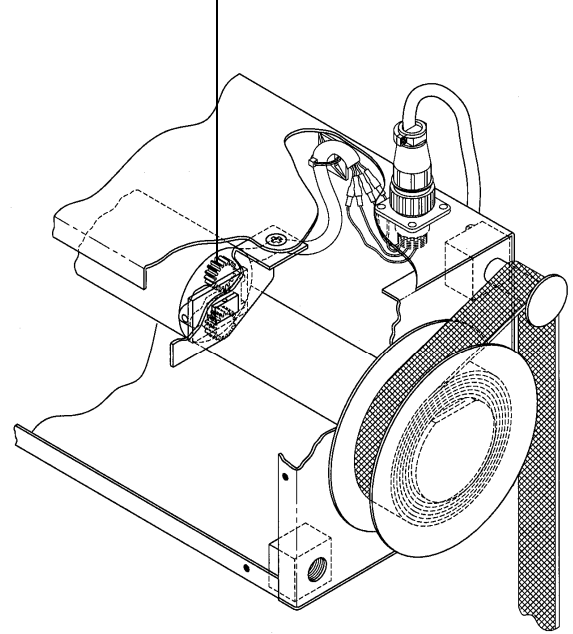
**UNIT WITHOUT FRONT COVER
(INSIDE HIDDEN)**

Reel pulley installed to locate
the strap close to the face or
the back of the lift



SHOWN WITH REEL PULLEY

Limit switch access to
adjust the upper and lower
limit stop



**LIMIT SWITCH AND MOTOR
WIRE CONNECTORS**