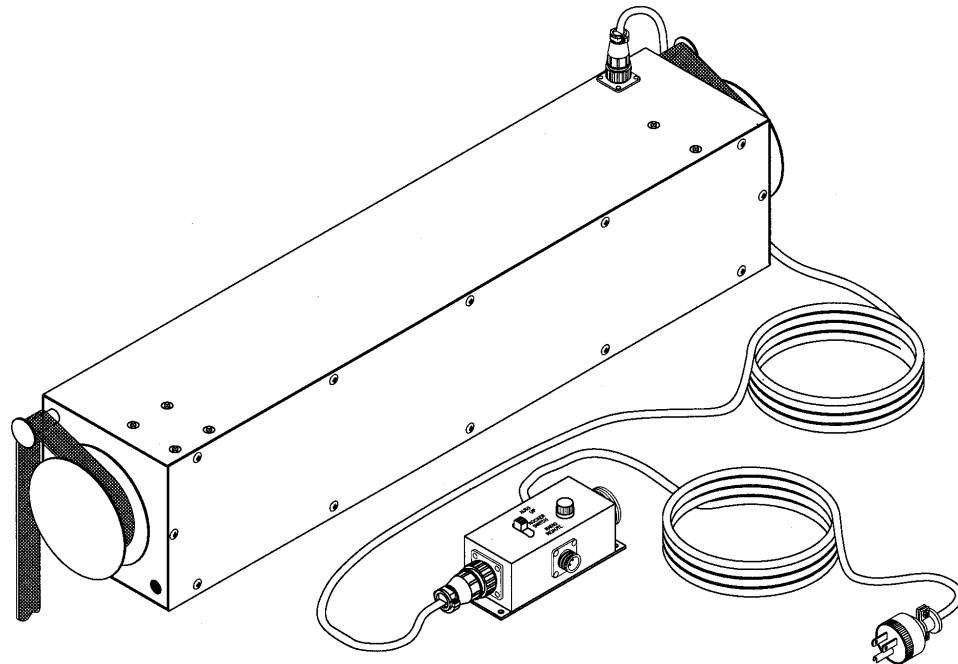




PANEL LIFT ASSEMBLY P/N 900808

1632-1/2 West 134th Street, Gardena, California 90249
(310) 808-0001 Fax (310) 808-9092 www.inca-tvlifts.com

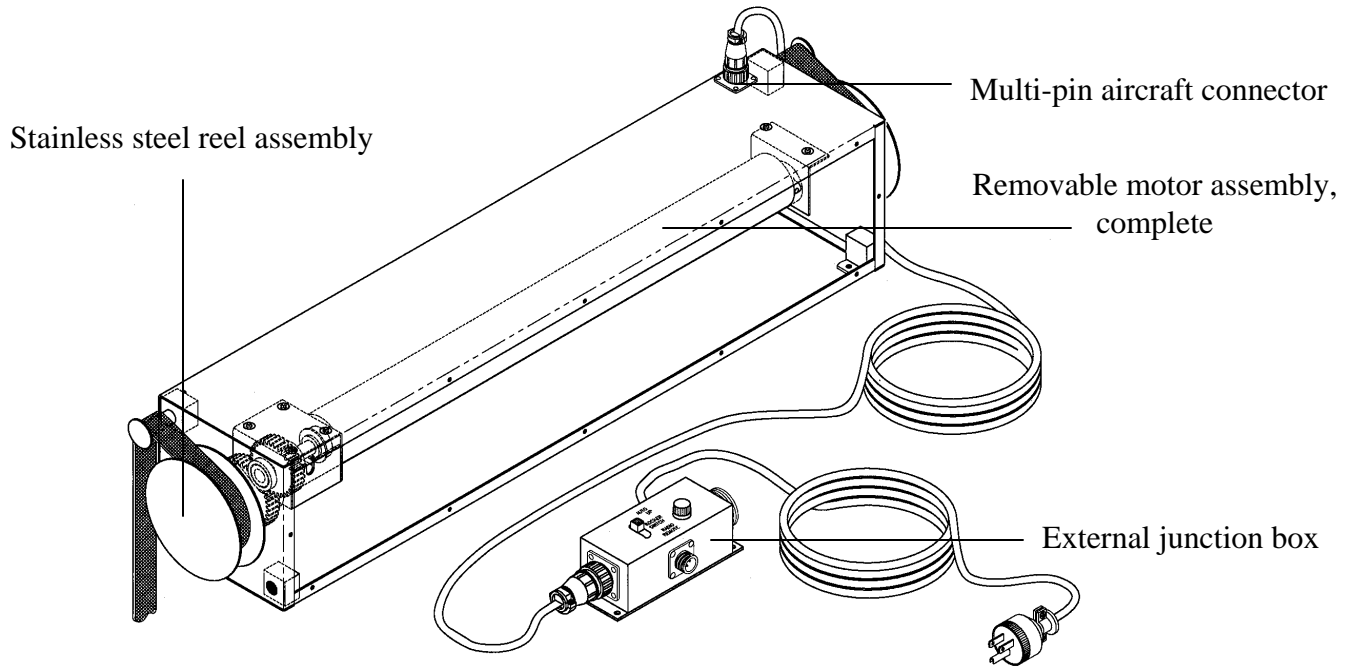
The Panel Lift Assembly, P/N 900808 is specifically designed to lift panels, pictures, or any flat object such as a door or partition. The unique design is completely fabricated from 300-series stainless steel. These machines are available in 3 models: 6" x 6", 4" x 4" and 3" x 3" in size. These compact machines can be installed in very tight places. Each system is fitted with an external junction box on a 25' cable to facilitate the connection of any selected controller. On the external j-box is the fuse and automatic bypass switch to make the machine operate open if a controller fails. All connectors are aircraft multi-pin high reliability components. Limit switches are set by removing the front cover and adjusting the stop points. This lift is designed to be field repairable. By removing six screws, the entire motor assembly can be easily removed for simple replacement, without having to demount the machine. Accessory pulley wheels are also included with each machine. The pulley wheels, when installed, permit the lifting belts to be located right on the face of the machine for a flush mount tight tolerance installation.



ITEM NUMBER	DESCRIPTION	OVERALL WIDTH	DEPTH	OVERALL HEIGHT	LIFT CAPACITY
900808-1	Panel Lift	31.50"	6.00"	6.00"	200 lbs.
900808-2	Compact Panel Lift	25.00"	4.00"	4.00"	40 lbs.
900808-3	Micro Panel Lift	18.75"	3.00"	3.00"	15 lbs.
900808-C1-3	Custom Panel Lift	Varies	3"-4"-6"	3"-4"-6"	15# - 70# - 200#

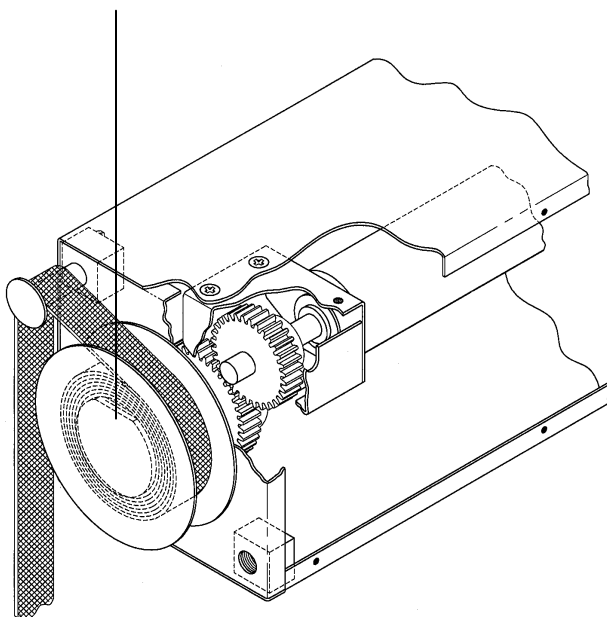
PANEL LIFT ASSEMBLY

P/N 900808



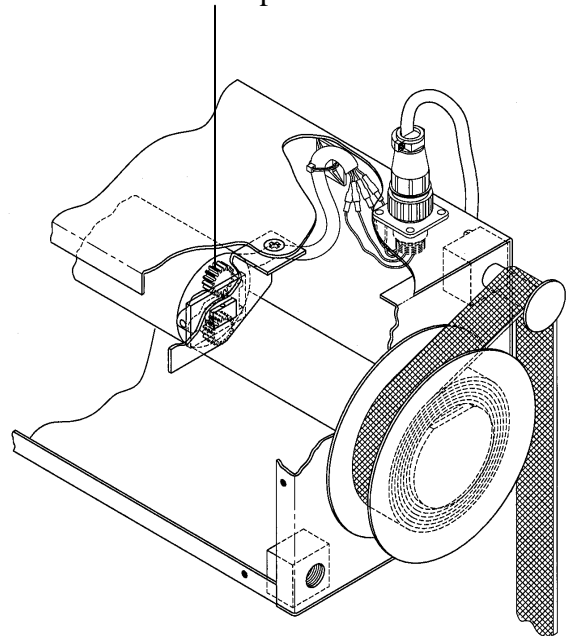
UNIT WITHOUT FRONT COVER (INSIDE HIDDEN)

Reel pulley installed to locate the strap close to the face or the back of the lift



SHOWN WITH REEL PULLEY

Limit switch access to adjust the upper and lower limit stop



LIMIT SWITCH AND MOTOR WIRE CONNECTORS