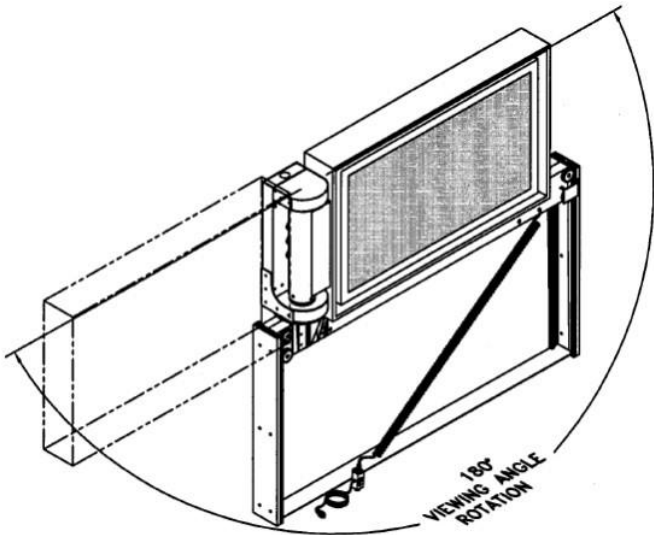
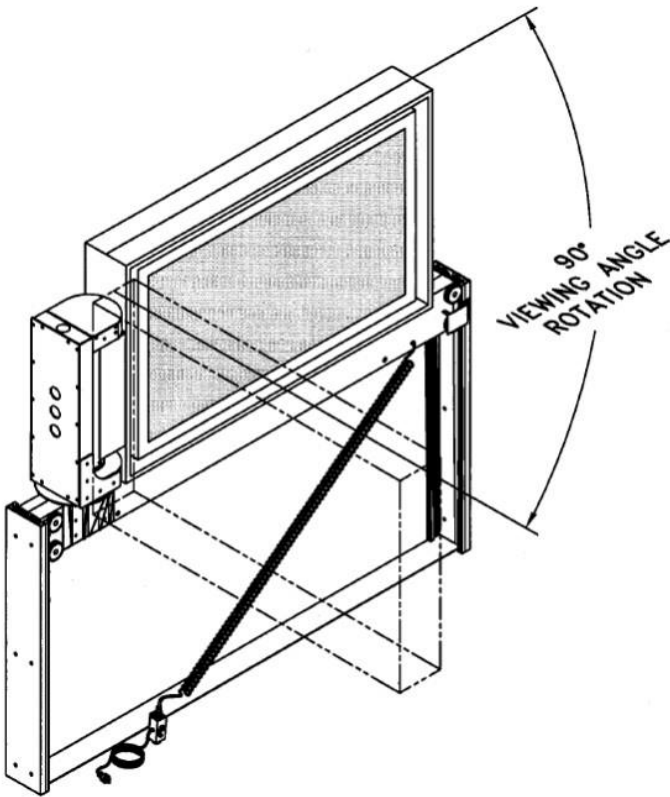




**FLATSCREEN CUSTOM ULTRA STABLE, LIFT  
MOUNTED AUTOMATIC CORNER POST SWIVEL  
P/N 900810-5**

**1632-1/2 West 134<sup>th</sup> Street, Gardena, California 90249  
(310) 808-0001 Fax (310) 808-9092 [www.inca-tvlifts.com](http://www.inca-tvlifts.com)**



The Automatic Corner Post Swivel 900810-5\* is a robust, heavy duty, lift mounted machine that is designed to suspend a full size flatscreen, from one edge and swivel it out for any convenient viewing angle. The heavy duty CRS base that mounts on the custom Ultra Stable Lift can be installed to provide a 90° or 180° turn. Controls are connected to the system via an external junction box and articulating cable. The external J-box houses the fuse and ports for connecting controllers and an auto up switch to force the lift to come up if the controller needs service. Control options include dual channel RF, or a touch-screen interface controller that accepts programmed dry contact closure or 12 VDC commands. Default stops can be set by moving the magnetic cam stops to any desired position. The unit is fully interlocked so the lift cannot go down until the TV is swiveled back to the 'zero' position. The swivel also includes an adjustable clutch assembly that tolerates the manual override movement of the TV display, preventing any damage to the drive system. Each swivel assembly includes a complete mounting bracket to mount the flatscreen to the enclosure, whether the enclosure is provided by INCA or not, and to attach the TV and enclosure to the swivel assembly. The swivel, mounting brackets, and hardware are fully crated for shipping. If they are all ordered together, the custom Ultra stable lift is mounted and crated with the swivel system.

ITEM NUMBER	DESCRIPTION	WIDTH	DEPTH	HEIGHT
900810-5	Automatic Corner Post Swivel	6.75"	5.00"	12.38"

\* These units are also available in stainless steel

# FLATSCREEN CUSTOM ULTRA STABLE, LIFT MOUNTED AUTOMATIC CORNER POST SWIVEL P/N 900810-5

P/N 900810-5  
Automatic corner post  
swivel assembly

P/N 900814-412-3B2  
Enclosure to swivel  
mounting bracket

P/N 900814-412-3B1  
Enclosure mounting panel.  
This attaches to the inside of  
the enclosure on which the  
TV hangs

External junction box with  
cable for attachment of  
controllers

P/N 900814-412-3A1 mounting  
plate. This plate attaches to the  
back of the TV

Mounting studs to adjust  
the location of the TV  
inside the enclosure (4)

