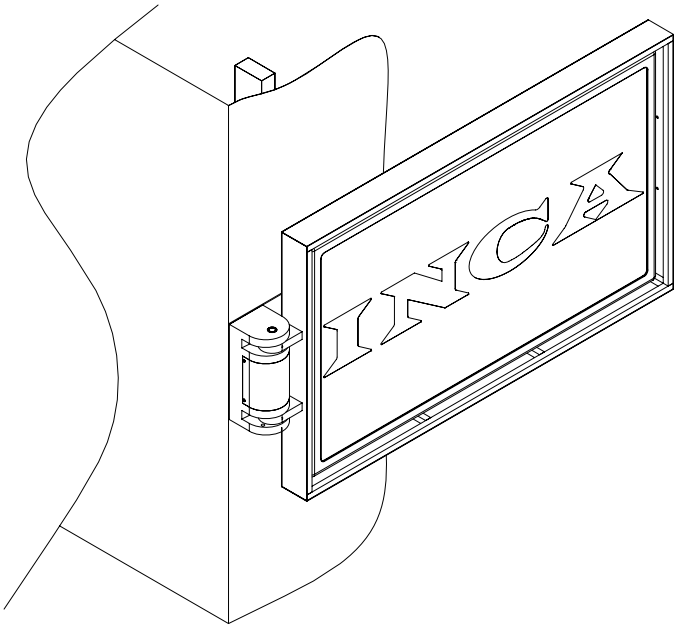




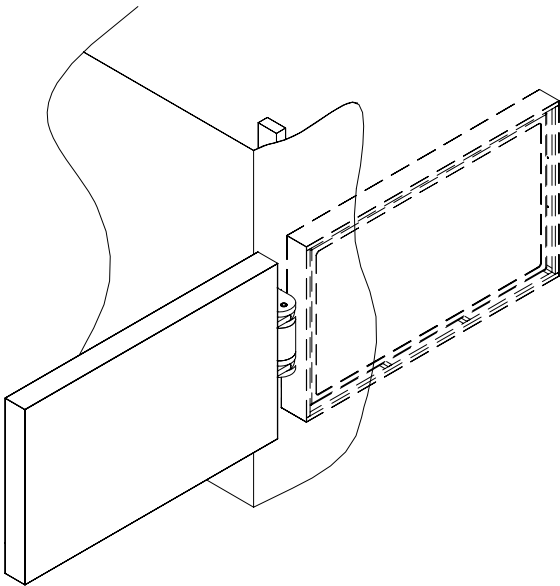
**FLAT SCREEN TV WALL MOUNTED CORNER  
POST AUTOMATIC SWIVEL  
P/N 900810-5W(A or B)**

1632-1/2 West 134th Street, Gardena, California 90249  
(310) 808-0001 Fax (310) 808-9092 [www.inca-tvlifts.com](http://www.inca-tvlifts.com)

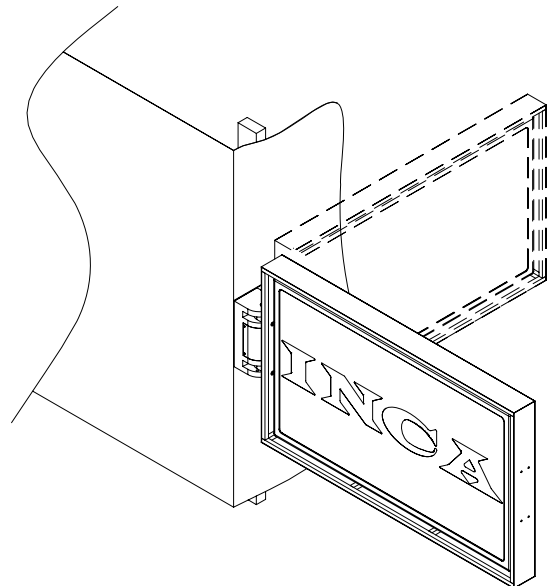


The Flat Screen TV Wall Mounted Corner Post Swivel, P/N 900810-5W(A or B) is a robust, rugged motorized mount that will hold flat screen TVs that are up to 70" in size, from one edge, in an enclosure or mounting plate. The swivel mount is equipped with an external junction box on a 25 foot long cable that allows the controller to be placed in a convenient location where access to the fuse, selector switch, and selected remote controllers are easily achieved. The machine is built to tolerate pushing on the swivel.

The automatic swivel can be controlled with a rocker switch, radio remote, or touch-screen system. The motion of the machine encompasses a full 180°, however, magnetic cam default stop can be readily set within the 180° swing. Included with each unit is a complete mounting frame system with all of the necessary attachment hardware, to mount in a custom fabricated Enclosure. Inca can provide this enclosure upon request as an optional accessory. Inca can also manufacture this unit from stainless steel for marine application (for use on a yacht) as a special order item.



180° VIEWING ANGLE ROTATION



90° VIEWING ANGLE ROTATION

