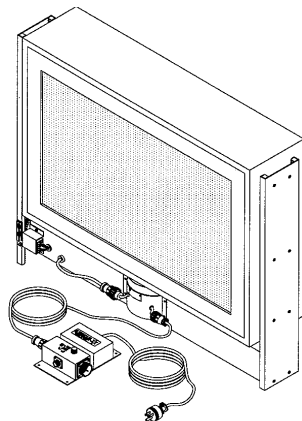
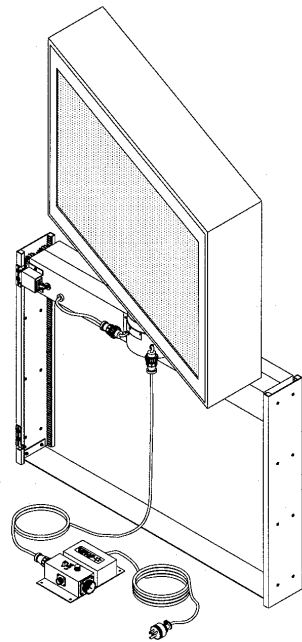
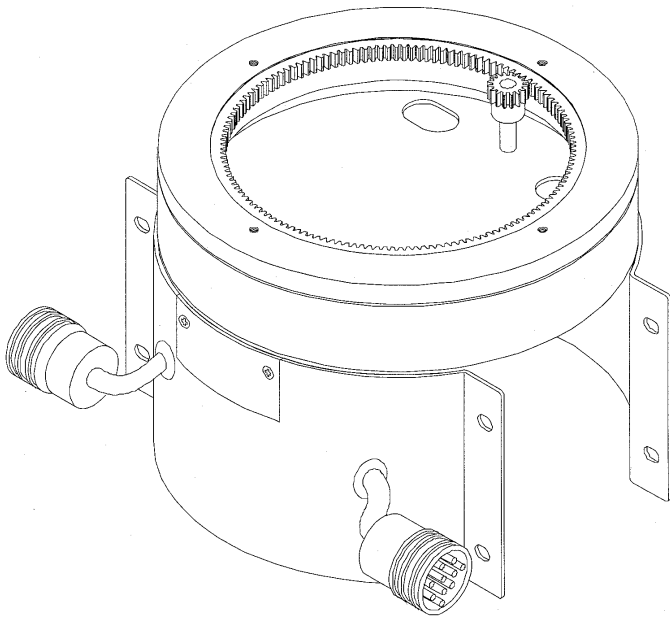




## LOW PROFILE FLAT SCREEN MICRO SWIVEL P/N 900810-6B

1632-1/2 West 134<sup>th</sup> Street, Gardena, California 90249  
(310) 808-0001 Fax (310) 808-9092 [www.inca-tvlifts.com](http://www.inca-tvlifts.com)

The Inca Low Profile Flat screen 5.75" Micro Swivel is designed specifically to raise and turn, to any desired viewing angle, a miniature plasma screen or an LCD. This micro swivel is an accessory for use on the Inca flat screen Lift, P/N 900815. Installation of the swivel on a flat screen lift adds only 1" to the height of the lifting mechanism. The swivel is extremely rugged, fabricated from a 14-gage stainless steel. The finished swivel is deep anodized for corrosion resistance. The rotating ring of the swivel is motor driven, and includes four each 6 - 32 threaded attachment points for the plasma enclosure. Ports provide easy cable drop from the plasma TV, to pass through the swivel. Easily adjusted magnetic cams provide default left and right stopping points. The interlocked centering switch requires the unit to be on zero before the lift can move. The external J-box allows controllers to be attached to the system away from the lift. The unit is supplied with a dual channel RF transmitter and receiver, but touch-screen compatible controllers are readily available.

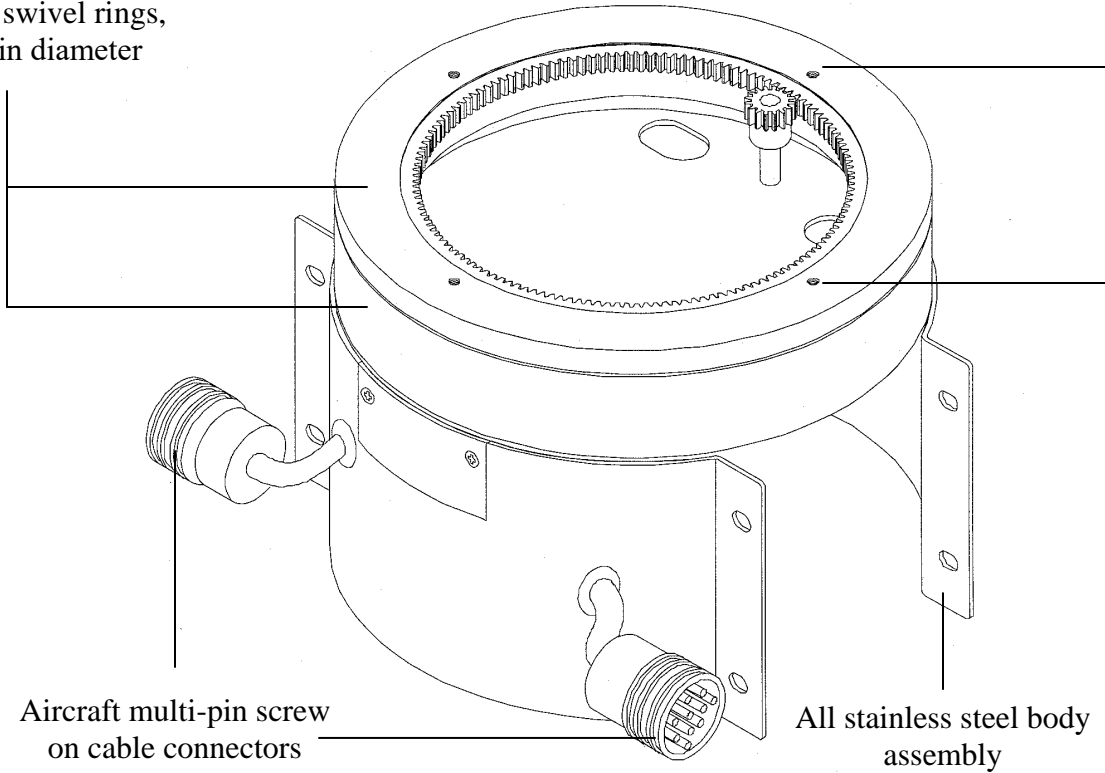


# LOW PROFILE FLAT SCREEN MICRO SWIVEL

## P/N 900810-6B

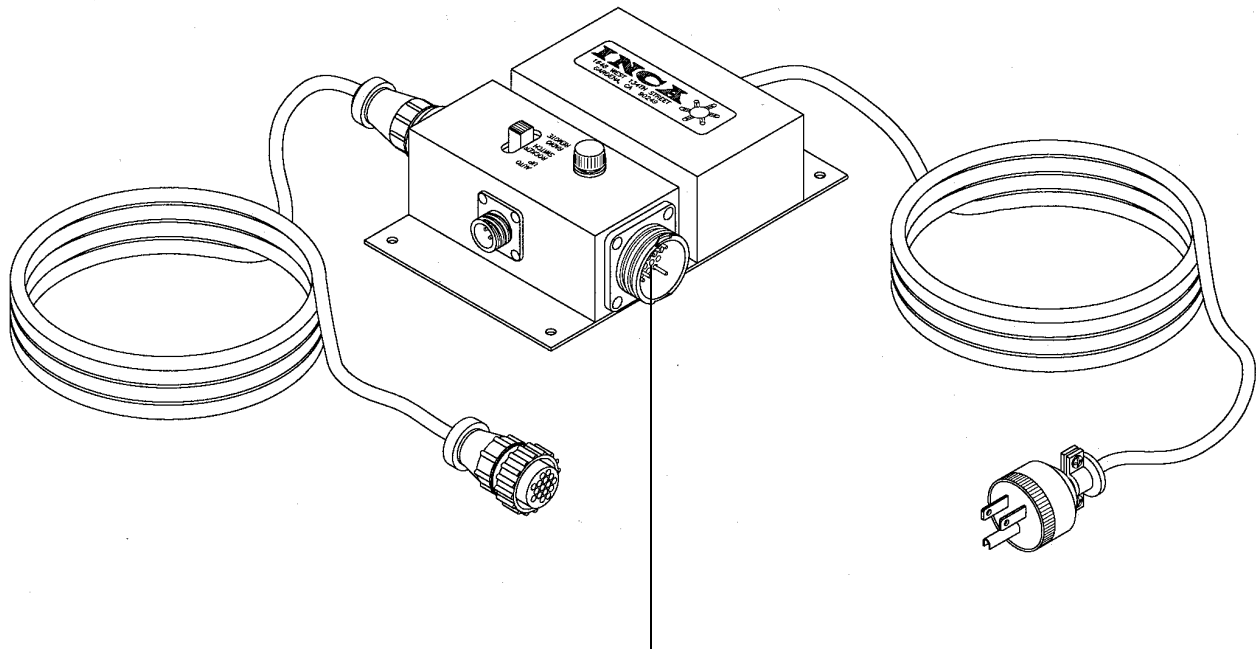
Anodized fixed and rotating swivel rings, 5.75" in diameter

6-32 threaded attachment points for the plasma enclosure



Aircraft multi-pin screw on cable connectors

All stainless steel body assembly



External universal J-box to attach the controllers to the lift and swivel