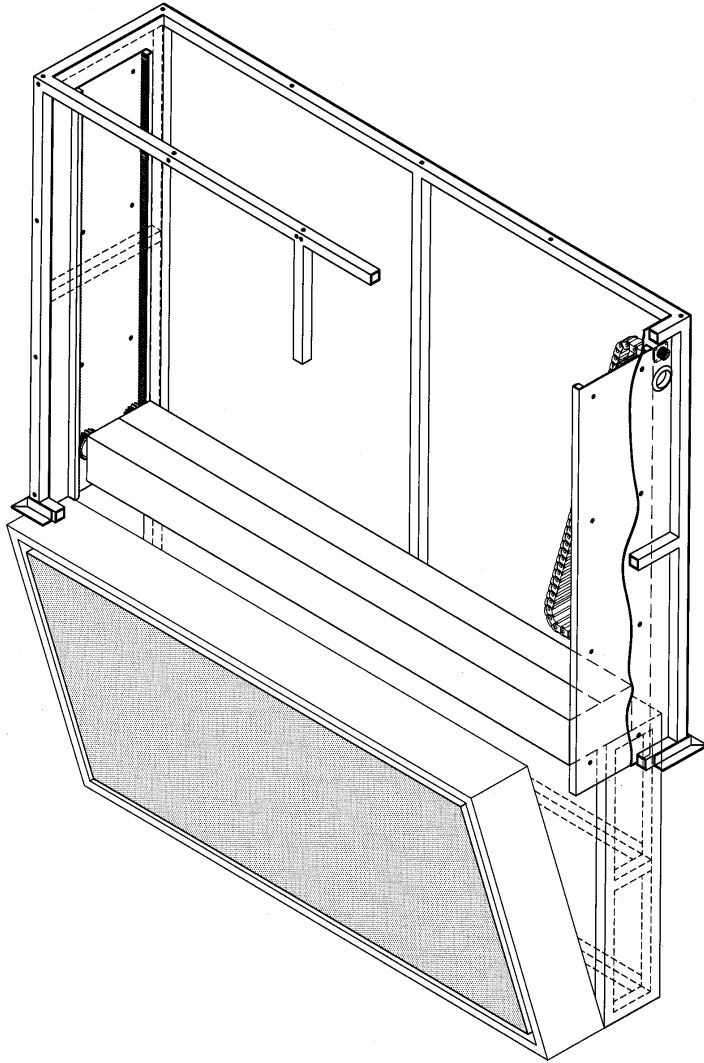




**PLASMA TV DROP DOWN CEILING LIFT  
WITH TILT  
P/N 900814-400-E1-T**

1632-1/2 West 134<sup>th</sup> Street, Gardena, California 90249  
(310) 808-0001 Fax (310) 808-9092 [www.inca-tvlifts.com](http://www.inca-tvlifts.com)



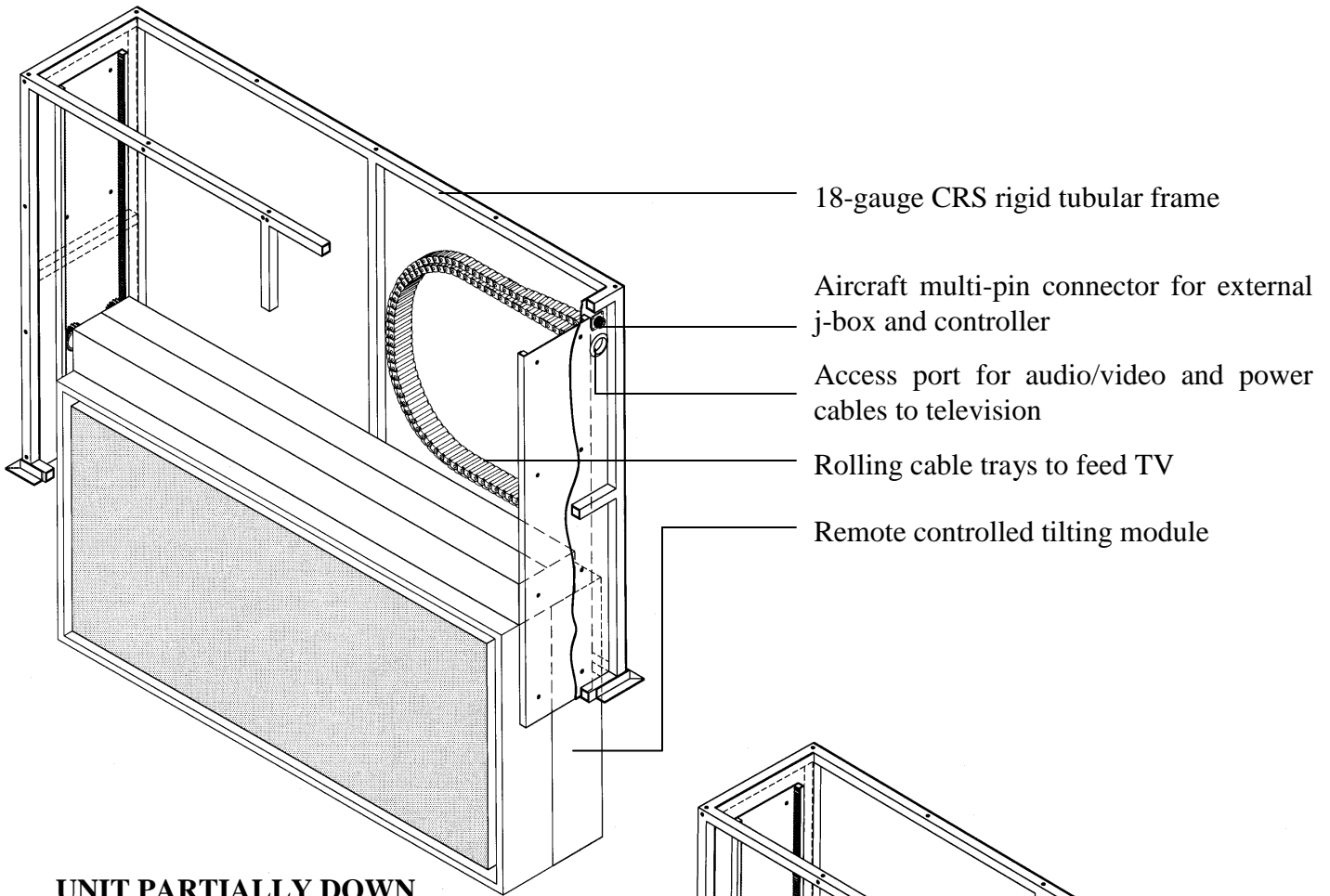
The Inca Plasma TV Drop-Down Ceiling Lift with Tilt module, P/N 900814-400-E1-T provides a safe means of storing a plasma TV display in a ceiling environment and lowering it to a desired viewing height, then tilting it forward up to 30°. The enclosure is fabricated from 18-gauge CRS tubing, covered with a painted CRS sheet. The rigid, tubular frame keeps the casement in proper shape. Also provided are aircraft multi-pin connectors to connect power and cables to the external controller. A generous 25' of cable is provided so the external j-box with its controller attached, can be located to a more accessible point such as an equipment room. The external j-box has the fuse, power input, and a function selection switch, which when operated, brings the unit down immediately. Any of the Inca controllers can be attached to this J-box, which include rocker switch, radio remote, 12

VDC/Dry Contact, or Touch-screen. Also included inside of the enclosure are rolling cable trays: one for the machine to provide signals and power, the other for the customer's cabling to the plasma TV. Access to this larger rolling cable tray is through a 1 7/8" diameter grommited port. The cable tray unzips to allow audio and video cables to be easily installed. As an optional accessory, Inca can provide a moving enclosure on which the TV can be readily mounted. Furthermore, the enclosure that holds the TV and attaches it to the lift can be fabricated to almost any dimension to provide additional drop into the room for better viewing.

ITEM NUMBER	DESCRIPTION	WIDTH	DEPTH	HEIGHT	DROP
900814-400-E1-T	Custom Plasma Ceiling Lift with Tilting Module	Varies	Varies	Varies	Varies

# PLASMA TV DROP DOWN CEILING LIFT WITH TILT

## P/N 900814-400-E1-T

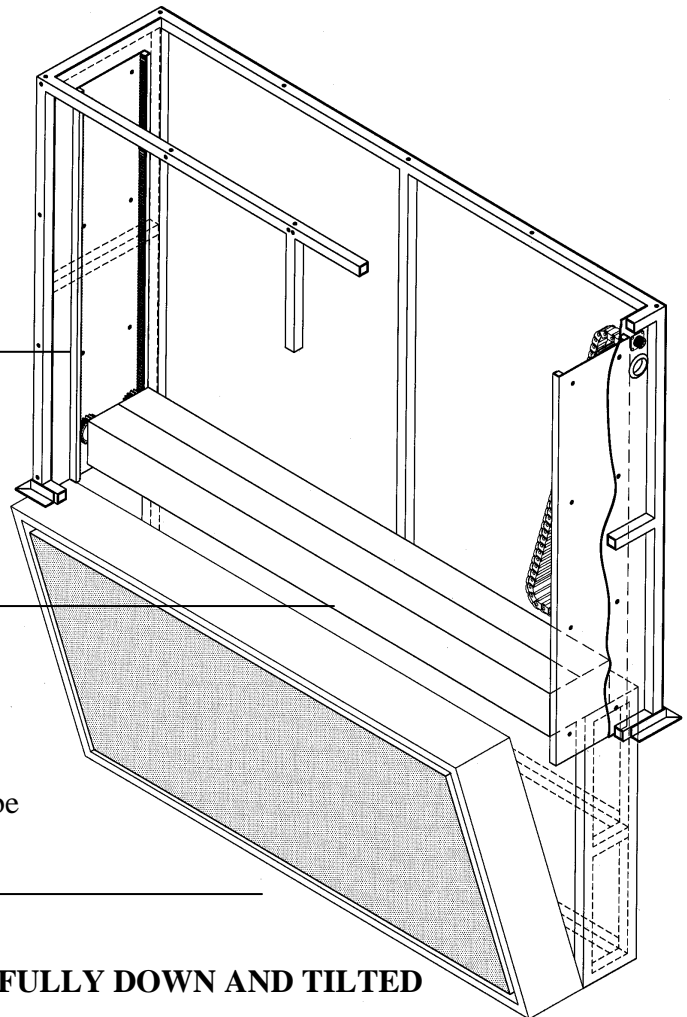


**UNIT PARTIALLY DOWN**

Side panel and rack gear

Moving bar assembly

Optional custom moving enclosure assembly, can be fabricated to provide any desired in-room drop height



**UNIT FULLY DOWN AND TILTED**