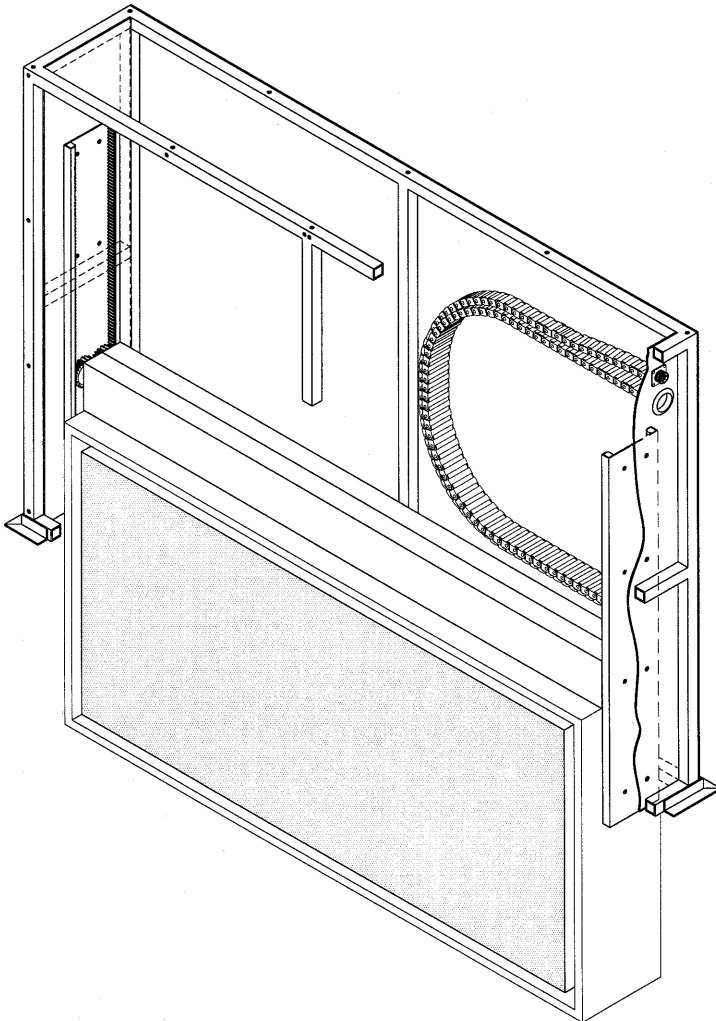




**PLASMA TV DROP DOWN CEILING LIFT
P/N 900814-400-E1**

**1632-1/2 West 134th Street, Gardena, California 90249
(310) 808-0001 Fax (310) 808-9092 www.inca-tvlifts.com**

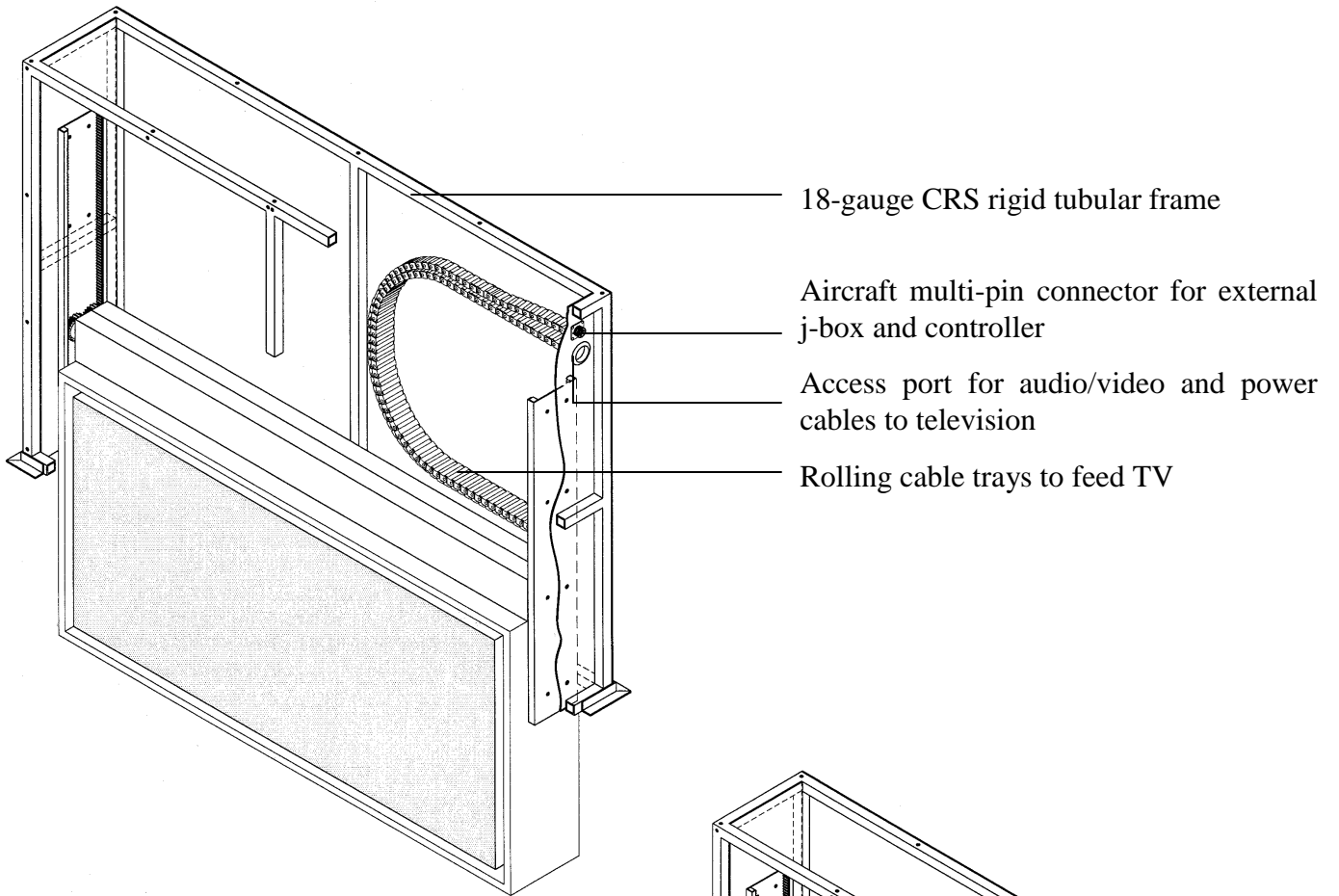


The Inca Plasma TV Drop-Down Ceiling lift, P/N 900814-400-E1 provides a safe means of storing a plasma TV display in a ceiling environment and lowering it to a desired viewing height. The enclosure is fabricated from 18-gauge CRS tubing, covered with a painted CRS sheet. The rigid, tubular frame keeps the casement in proper shape. Also provided are aircraft multi-pin connectors to control and power the cables to the external controller. A generous 25' of cable is provided so the external j-box with its controller attached, can be located to a more accessible point such as an equipment room. The external j-box has the fuse, power input, and a function selection switch, which when operated, brings the unit down immediately. Also included inside of the enclosure are rolling cable trays: one for the machine to provide signals and power, the other for the customer's cabling to the plasma TV.

Access to this larger rolling cable tray is through a 1 7/8" diameter grommeted port. The cable tray unzips to allow audio and video cables to be easily installed. As an optional accessory, Inca can provide a moving enclosure on which the TV can be readily mounted. Furthermore, the enclosure that holds the TV and attaches it to the lift can be fabricated to almost any dimension to provide additional drop into the room for better viewing.

ITEM NUMBER	DESCRIPTION	WIDTH	DEPTH	HEIGHT	DROP
900814-400-E1	Custom Plasma Ceiling Lift	Varies	Varies	Varies	Varies

PLASMA TV DROP DOWN CEILING LIFT
P/N 900814-400-E1

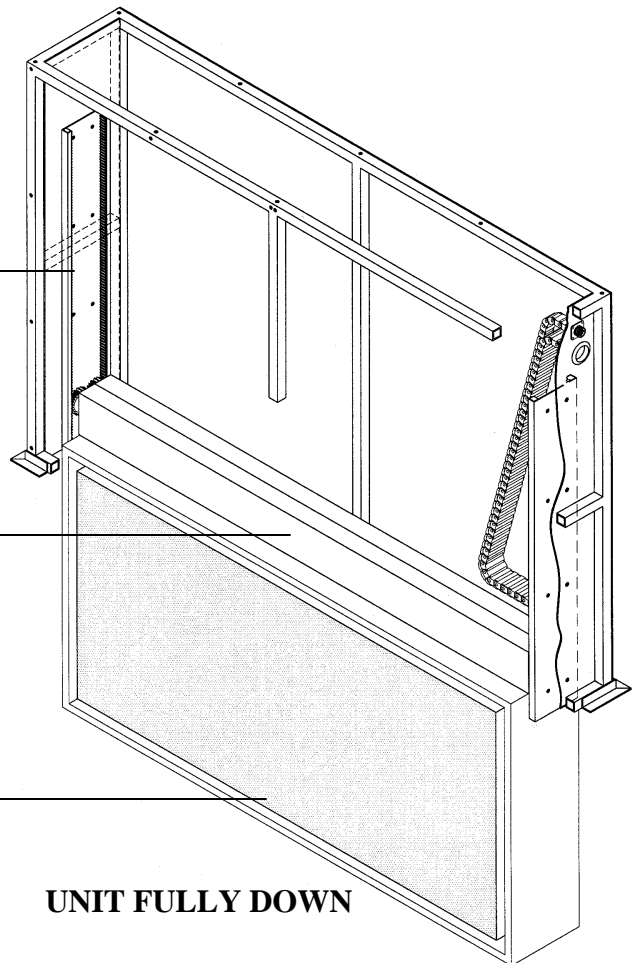


UNIT PARTIALLY DOWN

Side panel and rack gear

Moving bar assembly

Optional custom moving enclosure assembly, can be fabricated to provide any desired in-room drop height



UNIT FULLY DOWN