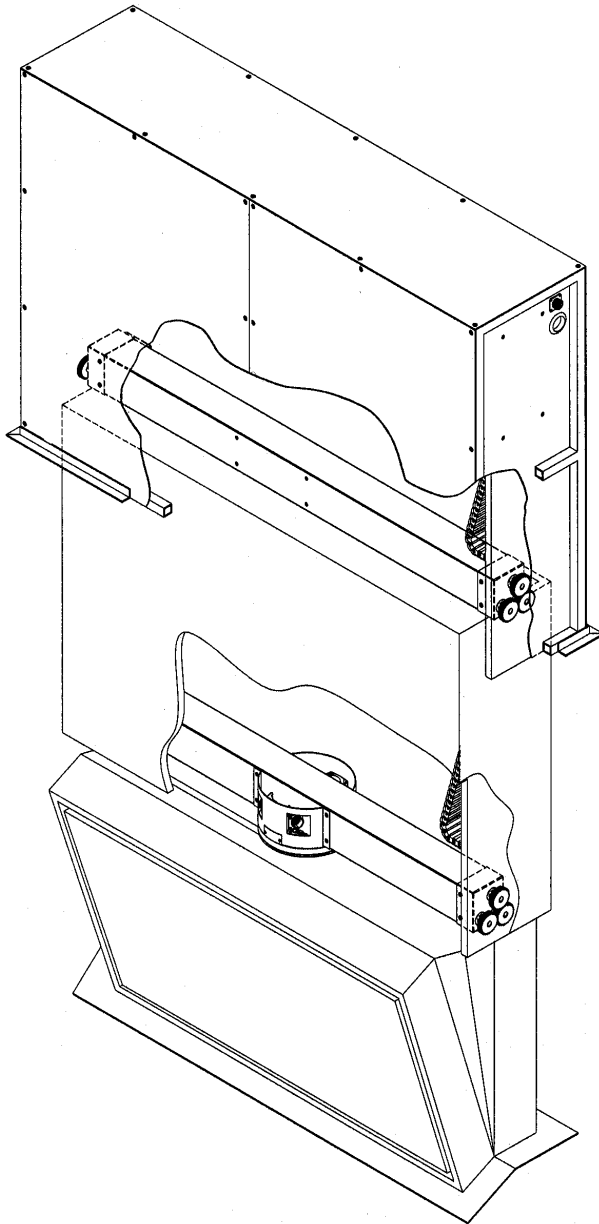




**PLASMA TV DOUBLE DROP CEILING UNIT
WITH SWIVEL
P/N 900814-400-E2-DBL**

1632-1/2 West 134th Street, Gardena, California 90249
(310) 808-0001 Fax (310) 808-9092 www.inca-tvlifts.com



The 900814-400-E2-DBL ceiling unit is available in the following options:

- Double-drop with automatic swivel
- Double-drop with extension and swivel
- Double drop with tilt and swivel
- Double-drop with extension, tilt, and swivel

All of these model options are custom fabricated and employs a double lift system that provides a maximum drop from the ceiling, with the absolute minimum of attic or above ceiling space.

Large ceiling drops for your plasma TV are possible when an extension section is added to the unit.

The housing that holds the secondary lift (lift#2) is fabricated from 0.125" aluminum and black anodized. The enclosure that holds the plasma screen, mounts to an enclosure assembly. This enclosure is fabricated from steel square tubing and sheathed in CRS 18 g steel, coated with epoxy, baked on semi-gloss, black enamel.

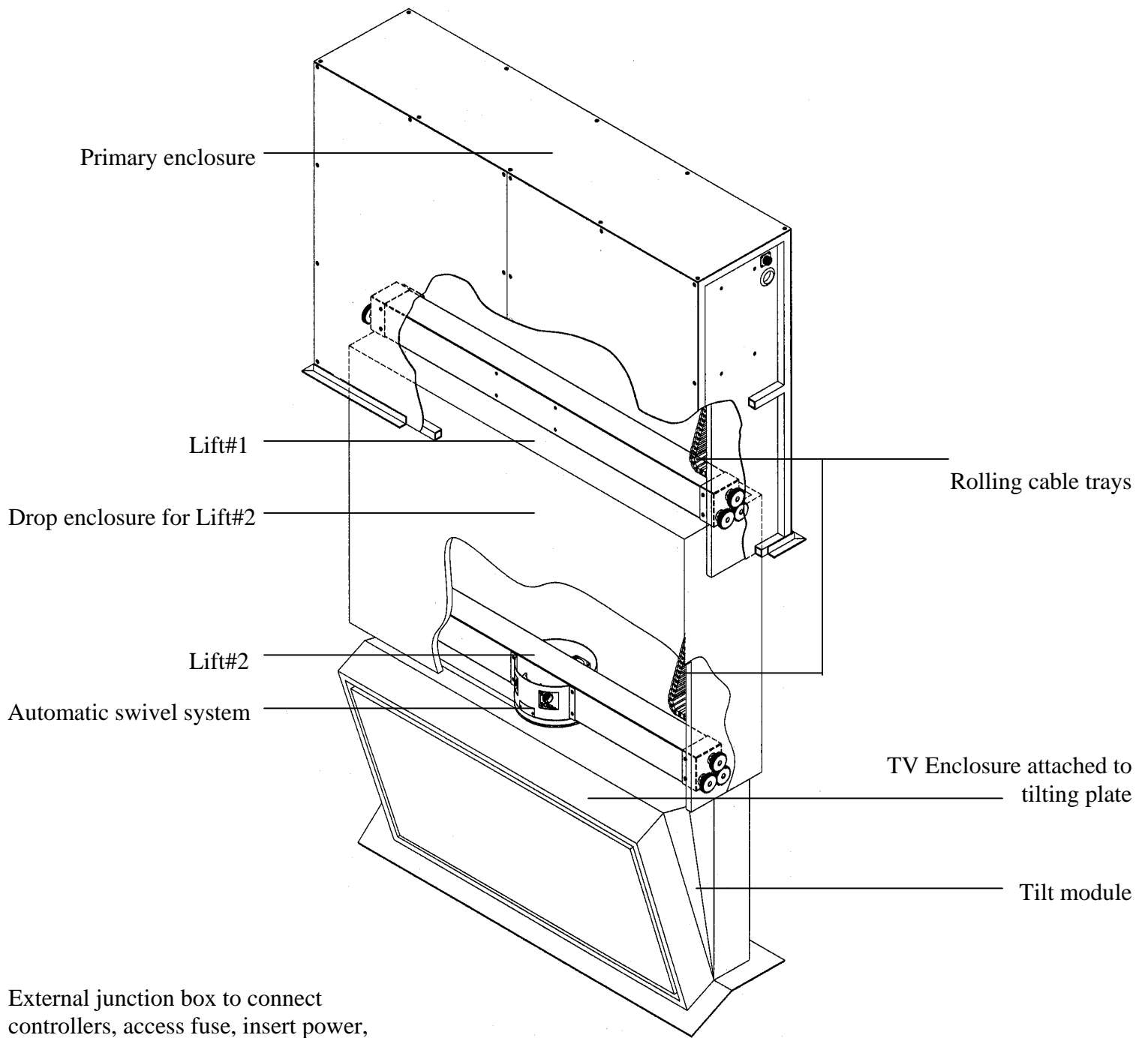
The 900814-400-E2-DBL units, with or without extensions are controlled through double-channel RF or a two-motion touch-screen sensor. Those equipped with the tilting modules can be controlled through a triple-channel RF radio remote or triple-motion touch-screen sensor.

All units include internal rolling cable trays for TV video/audio cable management. External junction boxes come with 25' of multi-conductor cable, so controllers can be placed at a convenient and accessible location. Additional cable runs up to 100' in length. These units

are shipped fully assembled, crated, and ready for ceiling and TV installation.

ITEM NUMBER	DESCRIPTION
900814-400-E2-DBL	Plasma TV Double-Drop Ceiling unit with swivel
900814-400-E2-DBL-A	Plasma TV Double-Drop Ceiling unit with extension and swivel
900814-400-E2-DBL-T	Plasma TV Double-Drop Ceiling unit with tilt and swivel
900814-400-E2-DBL-AT	Plasma TV Double-Drop Ceiling unit with extension, tilt and swivel

PLASMA TV DOUBLE DROP DOWN CEILING UNIT WITH SWIVEL P/N 900814-400-E2-DBL



External junction box to connect controllers, access fuse, insert power, select controllers, and "auto-up" button

