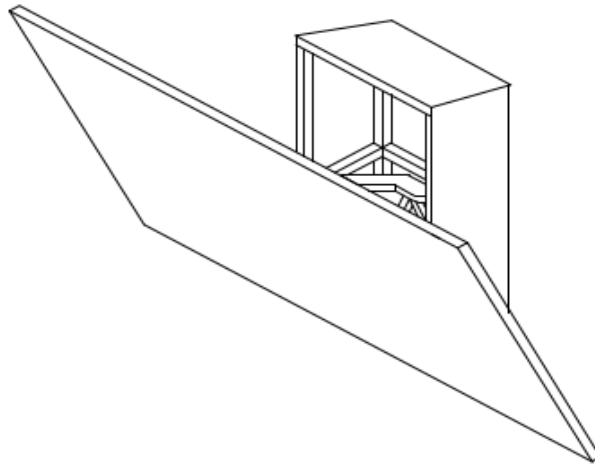




**FLAT SCREEN TV MOTORIZED WALL MOUNTED TILTING MODULE
P/N 900814-400-TLT**

**1632-1/2 West 134th Street, Gardena, California 90249
(310) 808-0001 Fax (310) 808-9092 www.inca-tvlifts.com**

The Inca wall mounted remote controlled tilting module, P/N 900814-TLT is a rugged, heavy-duty steel assembly that can be mounted on a wall. The outer footplate assembly is fabricated from 10-gage cold roll steel, and it is this assembly that can hold any size plasma screen and tilt it outwards to 30°, all on remote control. The rigid, wall mounted base for the tilting module is only 6” in depth. The height and width of the base is often proportional to the size of the plasma screen to be mounted. In general, the size of the tilting module is similar to the area and size of the back attachment rectangle on the plasma TV. The larger the plasma screen, the more widely spaced are the mounting points, hence larger tilting module mounting plates. The tilting plate will accept a direct attachment of a plasma TV, but it designed to attach to an Inca TV mounting module that goes between the TV and a customer fabricated enclosure, thus allowing easy installation and removal of the plasma screen



This tilting module can be used with or without a fabricated enclosure around the TV.

Several ports are provided on the enclosure to facilitate either an “in wall” cable connection or a bottom exit cable port. These units are configured UJBX so all Inca controllers will easily mount to the external junction box, which is supplied with 25’ of cable (50’ and 100’ cables are also available). Control options include: rocker switch, radio remote, infrared transponder system, 12 VDC/dry contact closure for touch-screen use. The unit can be stopped in any position in its travel, but the easily adjustable, magnetic cams can be set to stop the tilt at any default position. The unit is shipped fully assembled and ready for installation. The finish is semi-gloss black, baked epoxy enamel.

ITEM NUMBER	WIDTH	PLATE WIDTH	DEPTH	HEIGHT	MOUNTS FLAT SCREEN TV
900814-TLT-3	24.00”	27.25”	6.00”	22.875”	Standard 40”-42”
900814-TLT-4	24.00”	31.00”	6.00”	22.875”	Standard 46-50”
900814-TLT-5	24.00”	41.00”	6.00”	25.00”	Standard 55”-65”

PLASMA TV MOTORIZED WALL MOUNTED TILTING MODULE P/N 900814-TLT

