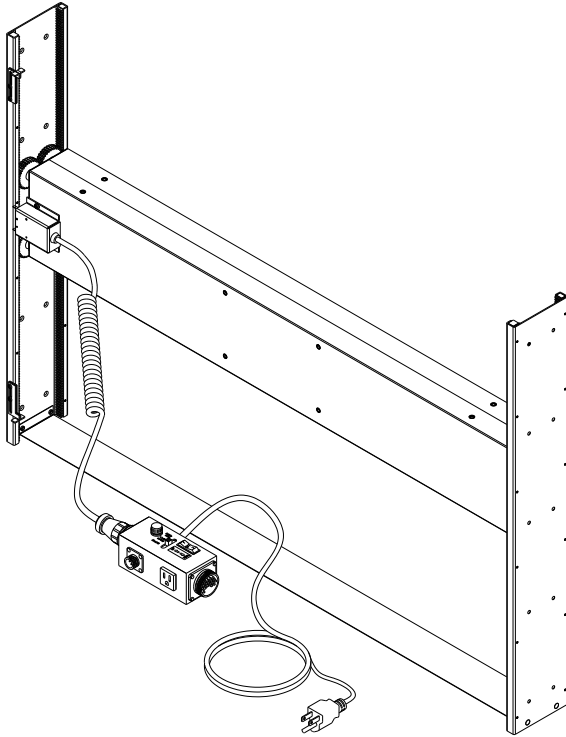




**CUSTOM ULTRA THIN  
FLAT SCREEN TV LIFT  
P/N 900814-400-UT**

1632-1/2 West 134<sup>th</sup> Street, Gardena, California 90249  
(310) 808-0001 Fax (310) 808-9092 [www.inca-tvlifts.com](http://www.inca-tvlifts.com)



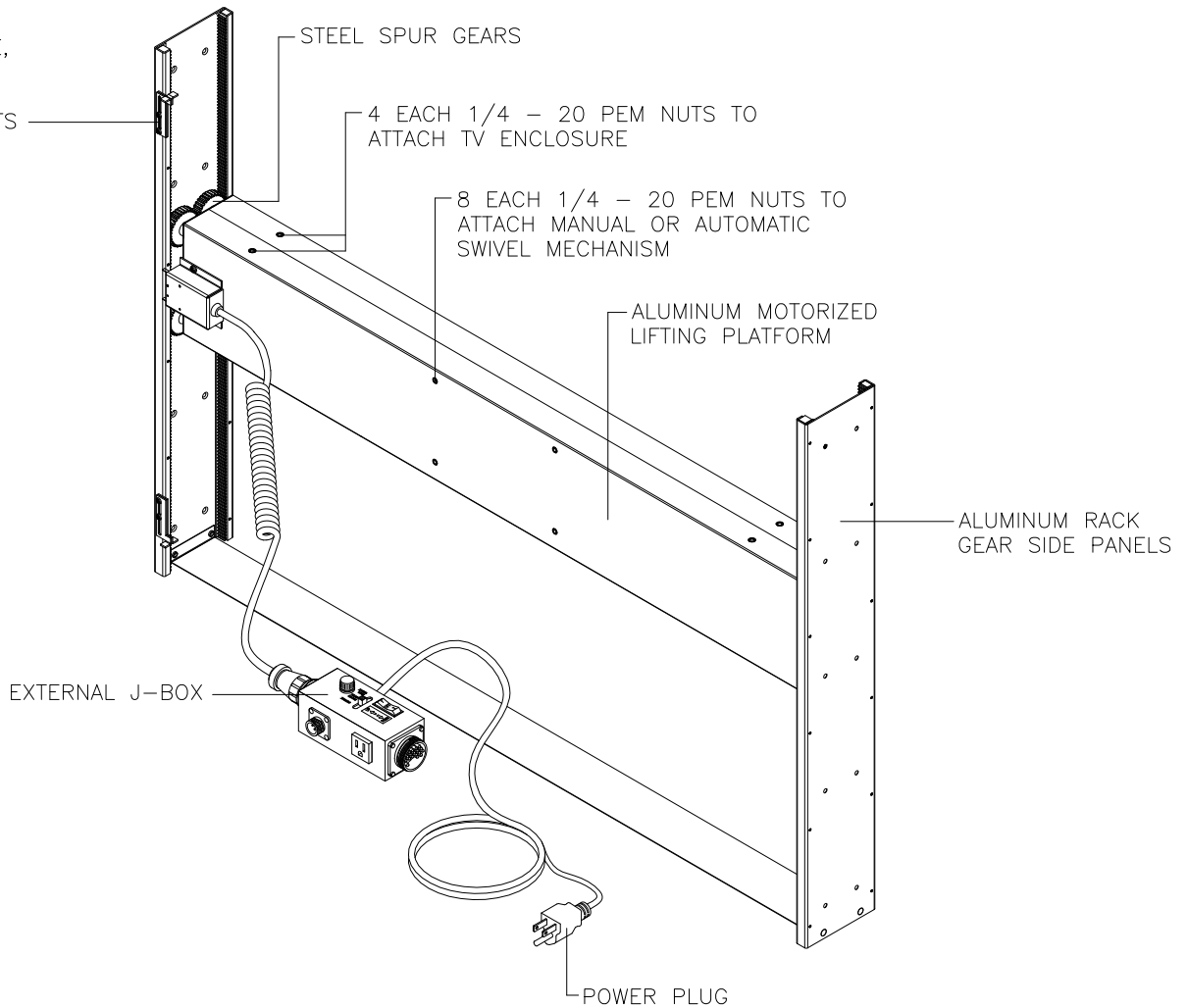
The Inca Ultra Thin Flat Screen TV Lift, P/N 900814-400-UT, is specifically designed to move larger flat screen TV displays from concealments to any desired viewing position, especially in applications with limited available depth. The lift side panels are fabricated from aluminum and moving bar assembly is only 3.75" deep, front to back and 6.00" in height. The moving bar contains the motor and drive assembly as well as the external limit switch package. Inserts are included to mount a manual or automatic swivel mechanism to the moving platform. All units are wired UJBX to allow the attachment of any Inca control option such as: a radio

remote, infrared, dry contact or a 12 VDC external controller. Also located on the J-box are the fuse, override switch, built-in rocker switch, and a selector to choose between connected controllers. External limit switches are easily adjustable and are very reliable. Ultra Thin Lifts have a capacity of 300 pounds. Two each ¼ - 20 pem nuts are provided on each end of the moving platform to mount the enclosure that holds the flats screen TV. This lift is shipped knocked down, with a packed weight less than 100 pounds.

ITEM NUMBER	DESCRIPTION	OVERALL WIDTH	PLATFORM WIDTH	DEPTH	OVERALL HEIGHT	TRAVEL HEIGHT
900814-400-UT	For Custom-size	Varies	Varies	Varies	Varies	Varies

# CUSTOM ULTRA THIN FLAT SCREEN TV LIFT P/N 900814-400-UT

EXTERNAL LIMIT  
SWITCH CAMS  
PROVIDE SIMPLE,  
INDEPENDENTLY  
ADJUSTABLE  
STOPPING POINTS



EXTERNAL J-BOX  
(DETAIL)

