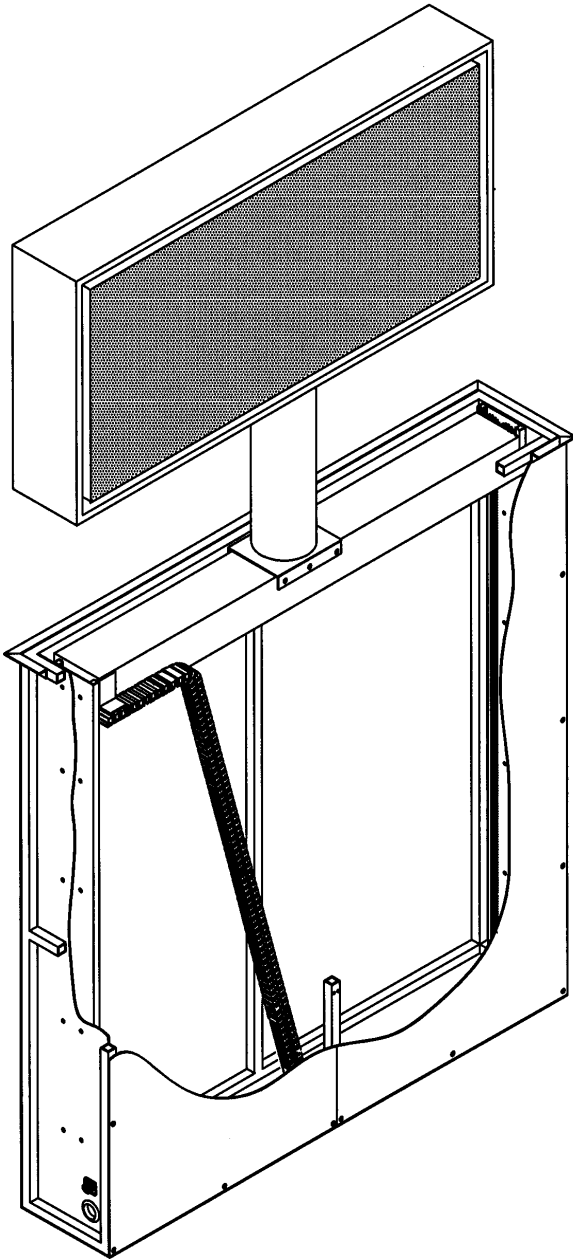




**PLASMA TV FLOOR ENCLOSURE LIFT WITH
EXTENSION SECTION
P/N 900814-400-F1**

**1648 West 134th Street, Gardena, California 90249
(310) 808-0001 Fax (310) 808-9092 www.inca-tvlifts.com**



The Inca Plasma TV Floor Enclosure Lift with Extension section, P/N 900814-400-F1* provides a positive means of storing a plasma TV display in the floor and then raising it to a desired viewing height. The enclosure is fabricated from 18-gauge CRS tubing, covered with a painted CRS sheet. The rigid, tubular frame keeps the casement in proper shape. Also provided are aircraft multi-pin connectors for control, power and signals to the external controller. A generous 25' of cable is provided so the external j-box with its controller attached, can be located to a more accessible point such as an equipment room. The external j-box has the fuse, power input, and a function selection switch, which when operated, brings the unit up immediately. Also included inside of the enclosure are rolling cable trays: one for the machine to provide signals and power, the other for the customer's cabling to the plasma TV. Access to this larger rolling cable tray is through a 1 7/8" diameter grommeted port. The cable tray unzips to allow audio and video cables to be easily installed. As an optional accessory, Inca can provide a moving enclosure on which the TV can be readily mounted. Furthermore, the extension tube that holds the TV and enclosure, attaches it to the lift can be fabricated to almost any dimension to provide additional vertical rise from the floor to any desired viewing position.

ITEM NUMBER	DESCRIPTION	WIDTH	DEPTH	HEIGHT	EXTENSION	RISE
900814-400-F1	Custom Plasma Floor Lift	Varies	Varies	Varies	Varies	Varies

* Also can be sized for miniature LCD screens

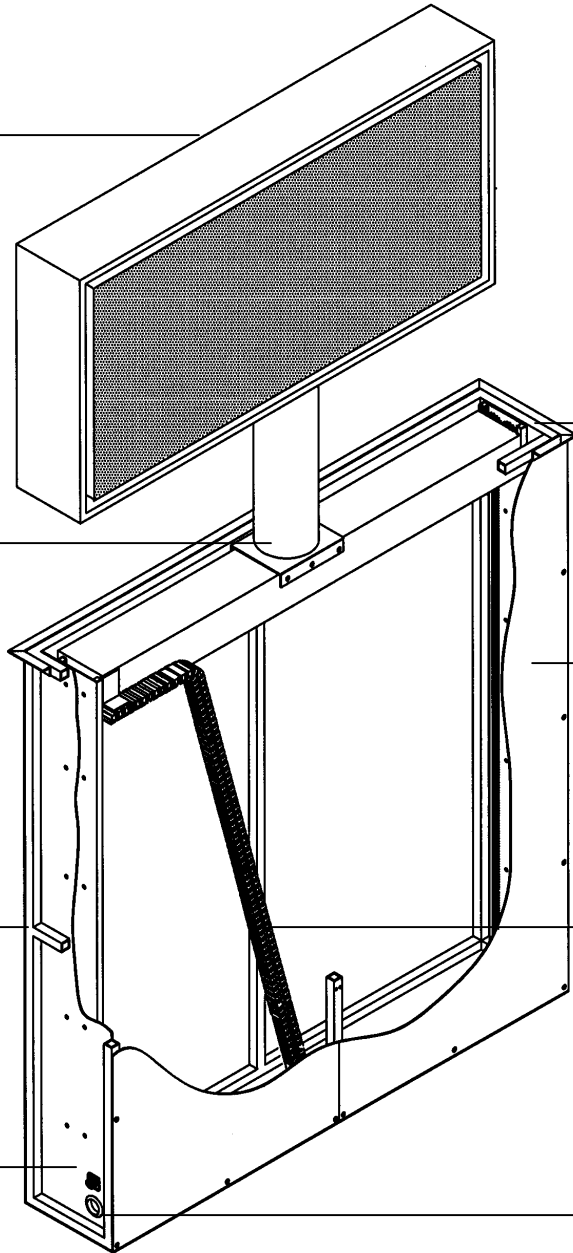
PLASMA TV FLOOR ENCLOSURE LIFT WITH EXTENSION SECTION P/N 900814-400-F1

CRS steel tubular frame covered and epoxy painted, semi-gloss black TV mounting enclosure (optional)

8" diameter steel extension tube raises TV to viewing height

CRS rigid steel tubular frame

Amp multi-pin connector to attach machine control cable



Steel flange mounts unit to the floor

Aluminum covers

Dual articulating cable trays, one for the machine controls, one for customer cable management

Grommeted access port for customer's cables