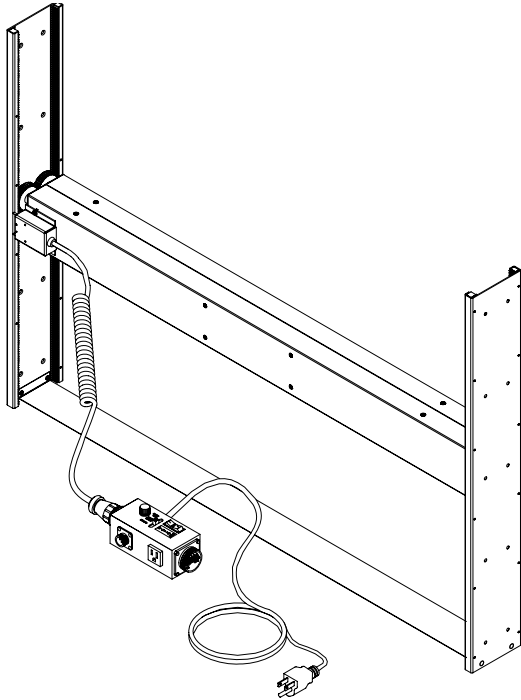




# ULTRA SILENT FLAT SCREEN TV LIFT P/N 900814-US SERIES

1648 West 134<sup>th</sup> Street, Gardena, California 90249  
(310) 808-0001 Fax (310) 808-9092 [www.inca-tvlifts.com](http://www.inca-tvlifts.com)



The Inca Ultra Silent Flat Screen TV Lift is specifically designed to move flat screen TV displays from concealments to any desired viewing position, especially in applications with limited available depth. These lifts feature “ultra silent” motors, suitable for applications where noise must be minimized, such as a TV lift at the foot of the bed. The lift side panels are fabricated from aluminum. The moving bar contains the motor and drive assembly as well as the external limit switch package. Inserts are included to mount a manual or automatic swivel. Control options include a Radio remote, Infrared, or Dry Contact external controller. Also located on the J-box are the fuse, override switch, built-in rocker switch, and a selector to choose between connected controllers. External limit switches are easily adjustable and are very reliable. Standard and custom sized units

are available. Two each ¼ - 20 pem nuts are provided on each end of the moving platform to mount the enclosure that holds the flat screen TV. This lift is shipped knocked down. **An enclosure is not supplied unless specified.**

### Technical Features:

- Motor noise level that is 60% less than tube motor technology
- Puts flat screen on the right spot, every time
- Continuous operation with up to 450 pounds maximum load capacity
- Internal electromagnetic brake stops the motor instantaneously and holds the load
- Long life high precision drive unit
- Conforms to all global power supply requirements

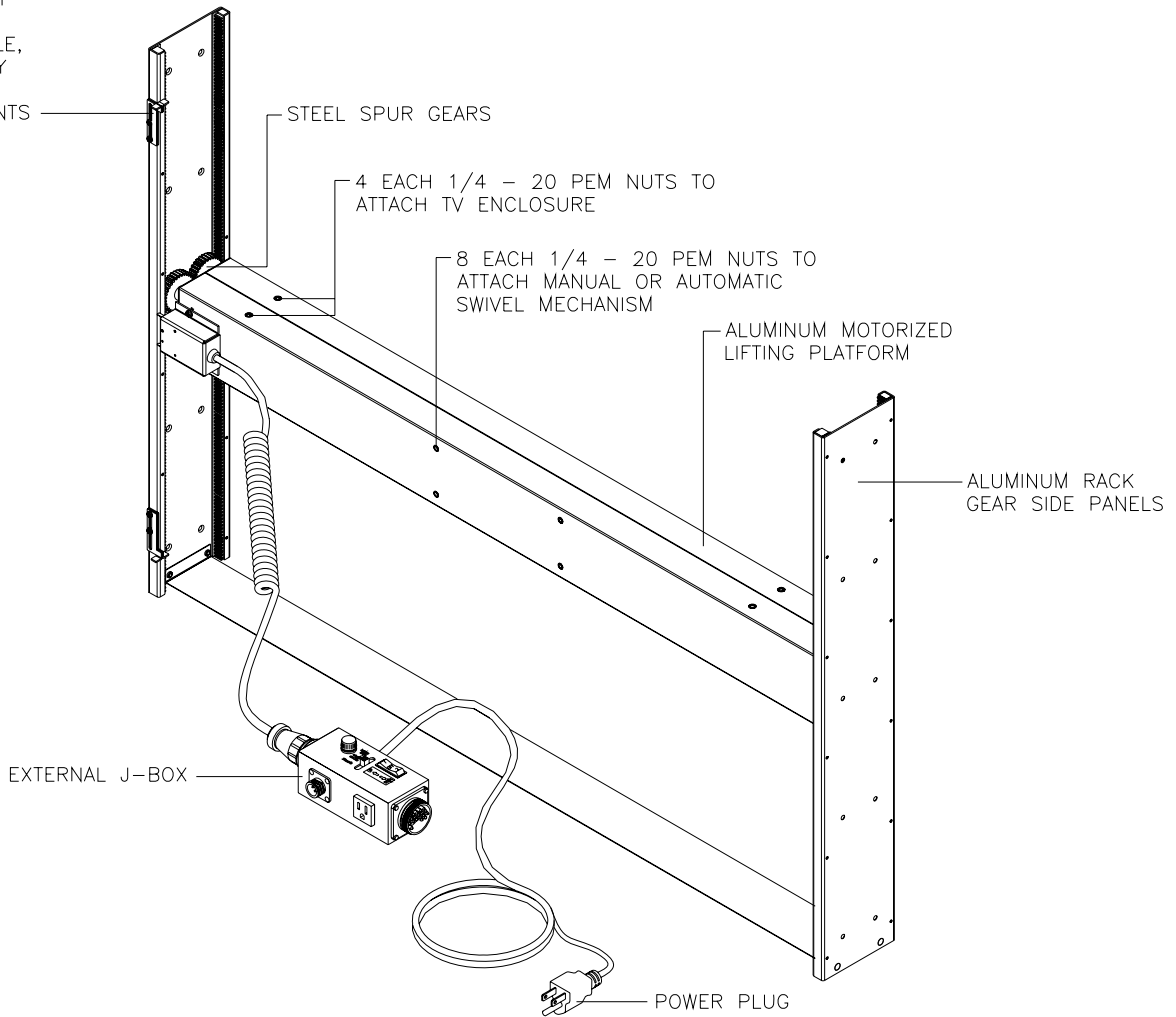
Inca’s time tested rack gear drive combined with state-of-the-art motor technology will deliver years of maintenance free service with the absolute maximum in smooth, quiet operation.

ITEM NUMBER	DESCRIPTION	OVERALL WIDTH	PLATFORM WIDTH	DEPTH	OVERALL HEIGHT	TRAVEL HEIGHT
900814-32-US	For 32" Flat Screen TV	42.125"	39.500"	3.750"	32.375"	26.250"
900814-42-US	For 42" Flat Screen TV	50.125"	47.500"	3.750"	37.625"	31.500"
900814-50-US	For 50" Flat Screen TV	56.000"	53.375"	8.500"	39.750"	35.000"
900814-61S-CUS	For 61" Flat Screen TV	63.875"	61.250"	10.000"	42.625"	37.875"
900814-400-US	For Custom-size	Varies	Varies	Varies	Varies	Varies

# ULTRA SILENT FLAT SCREEN TV LIFT

## P/N 900814-US SERIES

EXTERNAL LIMIT SWITCH CAMS PROVIDE SIMPLE, INDEPENDENTLY ADJUSTABLE STOPPING POINTS



EXTERNAL J-BOX (DETAIL)

