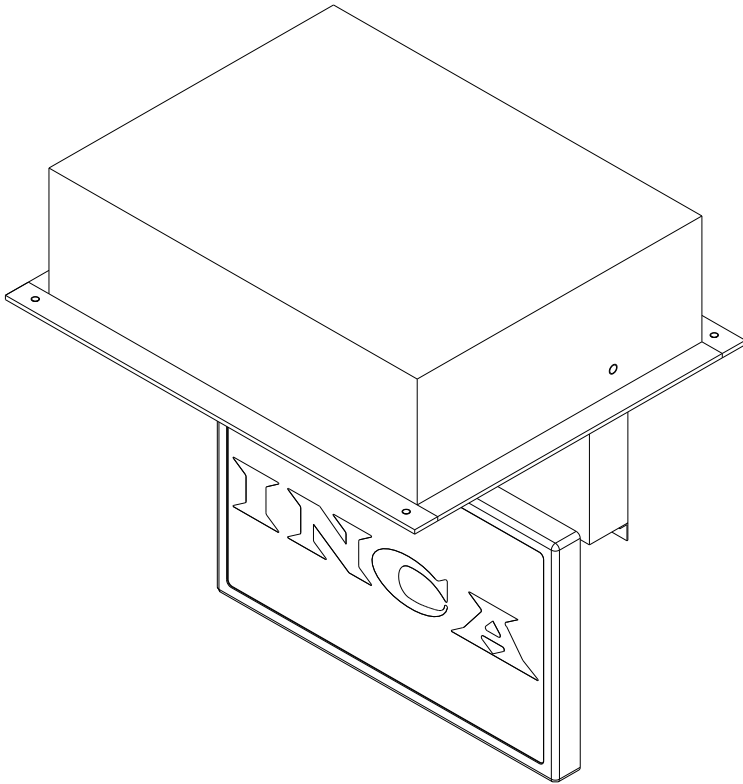




**FLAT SCREEN TV FLIP DOWN AND
EXTEND CEILING UNIT
P/N 900814-410-400-FLP-EX**

1632-1/2 West 134th Street, Gardena, California 90249
(310) 808-0001 Fax (310) 808-9092 www.inca-tvlifts.com



The Inca Flat Screen TV Flip Down and Extend Ceiling unit is specifically designed to store TV's in the ceiling and upon command, lower the screen into a room and then extend it lower to the floor, for a perfect viewing position. This motorized mechanism is constructed of steel and aluminum and powder coated black for long life. All units include a mount to hang the TV. Control options are connected via a UJBX configured external J-box on the lift chassis via an aircraft 24-pin screw on connector. The external J-box is provided with 25' of cable so that it can be mounted in a conveniently accessible location. Choices of control options for the 900814-410-400-FLP-EX are simple rocker switch, RF radio remote, power sensor module, and 12 VDC/Dry contact closure for touch-screen applications. The external J-box also has a selector switch to choose various control modes and a built-in rocker switch. The unit has four corner holes to secure unit onto provided frame. Provisions are made to "unroll" the customer's video and power cables while the unit is deployed, as well as retract them when the unit is stored. A 110V plug is also

provided at the unit. The motor can be removed and easily replaced, should this ever be needed, without having to remove the entire unit from its installation in the ceiling. A TV mounting plenum is also included to permit easy cable management and to enhance heat flow from the TV. A soft seal covers the shroud ceiling surface so that the unit is sealed completely when folded up into the closed position. The depth of the assembly varies but the depth for a typical Flip Down and Extend Ceiling unit is generally 7" to 8". The unit weighs approximately 100 lbs. and is shipped in a special crate to prevent damage during shipping. It operates on US Standard, 110 VAC, 60 Hz power, but can be configured for use anywhere in the world via the selection of accessory packages. This system complies with CE marking requirements.

ITEM NUMBER	DESCRIPTION	WIDTH	DEPTH	HEIGHT
900814-410-400-FLP-EX	Custom Flip Down and Extend Ceiling Unit	Varies	Varies	Varies

FLAT SCREEN TV FLIP DOWN AND EXTEND CEILING UNIT
P/N 900814-410-400-FLP-EX

