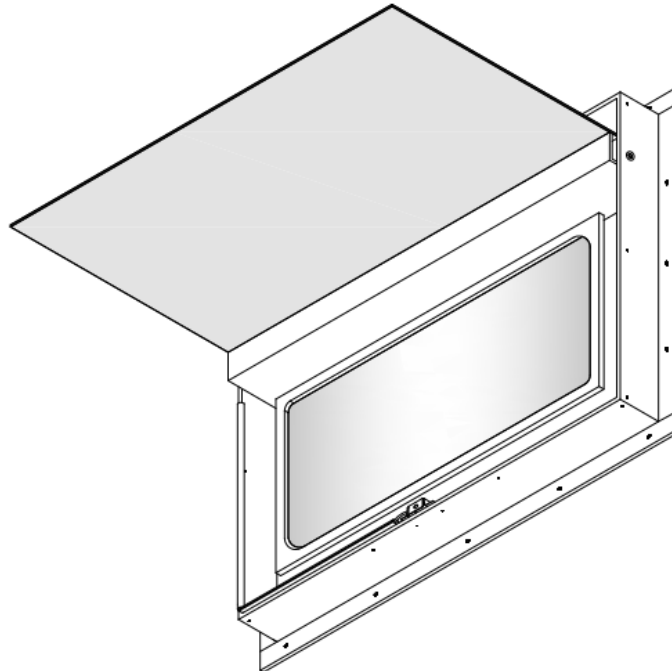




**FLIP UP WALL MOUNTED LIFT  
P/N 900814-410-400-FLP-UP**

1632-1/2 West 134<sup>th</sup> Street, Gardena, California 90249  
(310) 808-0001 Fax (310) 808-9092 [www.inca-tvlifts.com](http://www.inca-tvlifts.com)

The Inca Flip Up Wall Mounted unit is specifically designed to store a TV in the wall and flip up a mirror or some form of artwork to reveal the TV. The mechanism is built out of steel and aluminum, and powder coated black. An external j-box is provided with 25' of cable and attaches at the 24 pin connector on the unit, and accepts all control options (RF, Power Sensor, Dry Contact and Rocker Switch). A universal TV mounting bracket is included. Access and management is provided for video cables, and a 110 plug is provided within the unit to power the TV. A soft seal covers the moving shroud, ceiling it in the closed position. The unit weighs approximately 125 lbs. and ships in a crate. It operates off US Standard 110 power and draws roughly 4 amps, and can be configured to be used anywhere in the world, via the selection of an international power supply.



ITEM NUMBER	DESCRIPTION	WIDTH	DEPTH	HEIGHT
900814-410-400-FLP-UP	Custom Flip Up Wall Mounted Lift	Varies	4" – 5"	Varies

# WALL MOUNTED FLIP UP UNIT P/N 900814-410-400-FLP-UP

