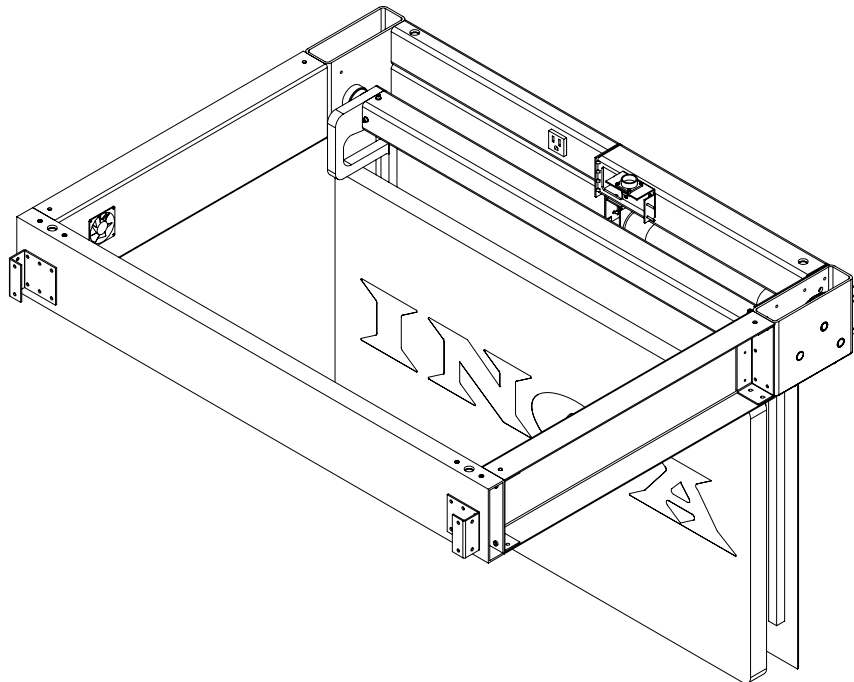




**FLATSCREEN TV FOLD DOWN CEILING UNIT
P/N 900814-410-400-Q**

**1632-1/2 West 134th Street, Gardena, California 90249
(310) 808-0001 Fax (310) 808-9092 www.inca-tvlifts.com**

The Inca TV Fold-Down Ceiling series of automation equipment is specifically designed to store Flat Screen TVs in the ceiling and lower them for viewing. This motorized mechanism is all steel and aluminum construction, black powder coated black for long life. All units are ready for TV installation. Control options are connected by a UJBX configured external J-box on the lift chassis via an aircraft 24-pin screw on connector. The external J-box is provided with 25' of cable so that it can be mounted in a conveniently accessible location, where the dry contact, 12 VDC, RF radio remote, and Infrared control systems are attached. The external J-box also has both a selector switch to choose various control modes and an "auto down" option. The "auto down" option lowers the plasma display in the event of a controller malfunction. It also has four corner bracket mounting frames to permit attachment of the machine to the ceiling, via eight ¼ -20 pem nuts (10 gage 0.125") along with four ½ - 13 threaded holes. Provisions are made to "unroll" the customer's video and power cables while the unit is deployed, as well as retract them when the unit is stored. A TV mounting plenum is also included to permit easy cable management and to enhance heat flow from the TV. A soft seal covers the shroud ceiling surface so that the unit is sealed completely when folded up into the closed position. The fold down also features a temperature sensing fan that helps keep the TV cool while in its stored position. The unit weighs approximately 300 lbs. and is shipped in a special crate to prevent shipping damages. It operates on US Standard, 110 VAC, 60 Hz power, but can be configured for use anywhere in the world via the selection of accessory packages.



ITEM NUMBER	DESCRIPTION	WIDTH	DEPTH	HEIGHT
900814-410-400-Q	Custom Fold-Down	Varies	Varies	Varies

FLATSCREEN TV FOLD DOWN CEILING UNIT

P/N 900814-410-400-Q

