

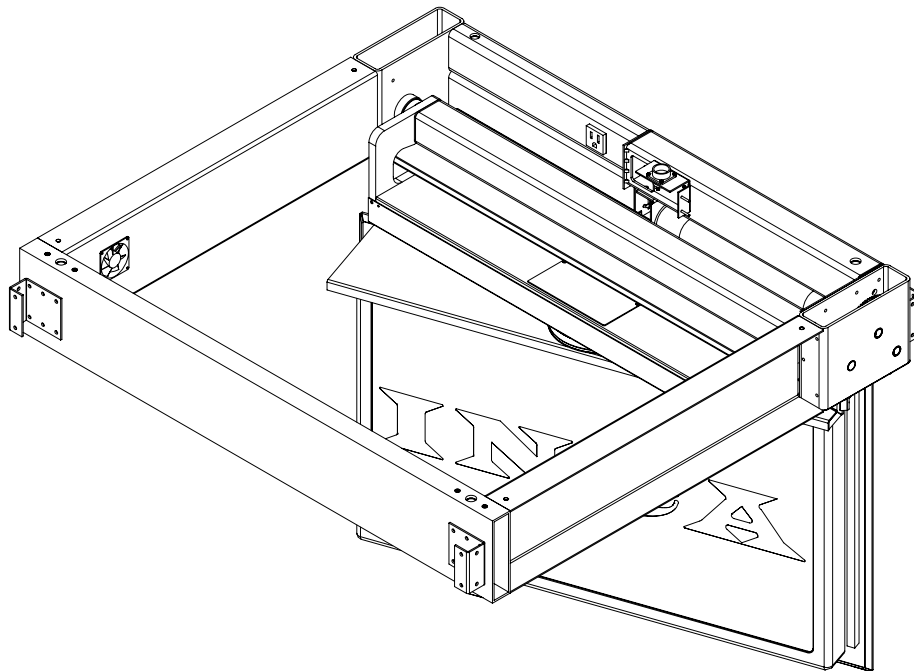


**FLAT SCREEN TV FOLD DOWN AND SWIVEL
CEILING UNIT**

P/N 900814-410-400-S

**1632-1/2 West 134th Street, Gardena, California 90249
(310) 808-0001 Fax (310) 808-9092 www.inca-tvlifts.com**

The 900814-410-400-S is specifically designed to store a flat screen TV in the ceiling and upon command, lower the screen into a room and then swivel it to a perfect viewing position. This motorized mechanism is all steel and aluminum construction, powder coated black for long life. All units are ready for TV installation. Control options are connected via a UJBX configured external J-box on the lift chassis, thru an aircraft 24-pin screw on connector. The external J-box is provided with 25' of cable so that it can be mounted in a conveniently accessible location. Choice of control options for the 900814-410-400-S are a two button radio remote, or a two-motion sensor for touch-screen commands. The external J-box also has both a selector switch to choose various control modes and an "auto down" option. The "auto down" option lowers the display in the event of a controller malfunction. The unit has four corner bracket mounting frames to permit attachment of the machine to the ceiling, via eight ¼ -20 pem nuts (10 gage 0.125"). All of our Fold-down units contain a thermostatically controlled muffin fan to exhaust any accumulated heat above a preset limit, when the TV is stored inside the ceiling. Provisions are made to "unroll" the customer's video and power cables while the unit is deployed, as well as retract them when the unit is stored. The motor can be removed and easily replaced, should this ever be needed, without having to remove the entire unit from its installation in the ceiling. A TV mounting plenum is also included to permit easy cable management and to enhance heat flow from the TV. A soft seal covers the shroud ceiling surface so that the unit is sealed completely when folded up into the closed position. The thickness of the assembly varies, but the thickness of a typical Fold-Down and Swivel unit is generally 10.000". The unit weighs approximately 300 lbs. and is shipped in a special crate to prevent shipping damages. It operates on US Standard, 110 VAC, 60 Hz power, but can be configured for use anywhere in the world via the selection of accessory packages. This system complies with CE marking requirements.



ITEM NUMBER	DESCRIPTION	WIDTH	DEPTH	HEIGHT
900814-410-400-S	Custom Fold-Down and Swivel	Varies	Varies	Varies

FLAT SCREEN TV FOLD DOWN AND SWIVEL CEILING UNIT P/N 900814-410-400-S

