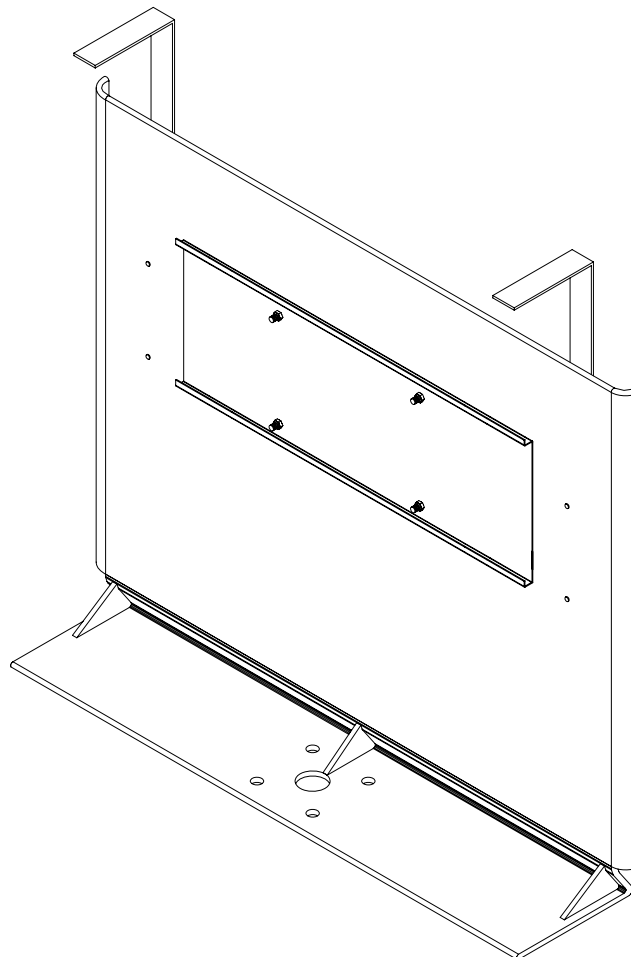




**FLAT SCREEN TV MOUNTING SYSTEM  
P/N 900814-412-4**

1648 West 134<sup>th</sup> Street, Gardena, California 90249  
(310) 808-0001 Fax (310) 808-9092 [www.inca-tvlifts.com](http://www.inca-tvlifts.com)

The Flat Screen TV Mounting System P/N 900814-412-4 is specifically designed to mount a flat screen TV to the Inca Flat Screen TV Automatic Swivel P/N 900810-6A, or Manual Swivel P/N 900801-4A. This mounting system enables a flat screen television to attach to a swivel without the use of an enclosure around it. Composed of an extremely sturdy, 1/8" CRS steel plate, the mounting system is formed, heliarc-welded, and coated semi-gloss black. The bracketry uses a 'hook and hang' system, which allows the TV to be easily installed on the frame. A top finish cover piece can be attached to the included "z-bar" brackets via dowel pins.



ITEM NUMBER	WIDTH	DEPTH	HEIGHT	MOUNTS FLAT SCREEN TV
900814-412-4	24.00"	8.50"	18.00"	30" thru 42"
900814-412-4A	29.00"	8.50"	21.00"	42" thru 50"
900814-412-4A1	39.75"	8.50"	30.00"	50" thru 72"

# FLAT SCREEN TV MOUNTING SYSTEM

P/N 900814-412-4

