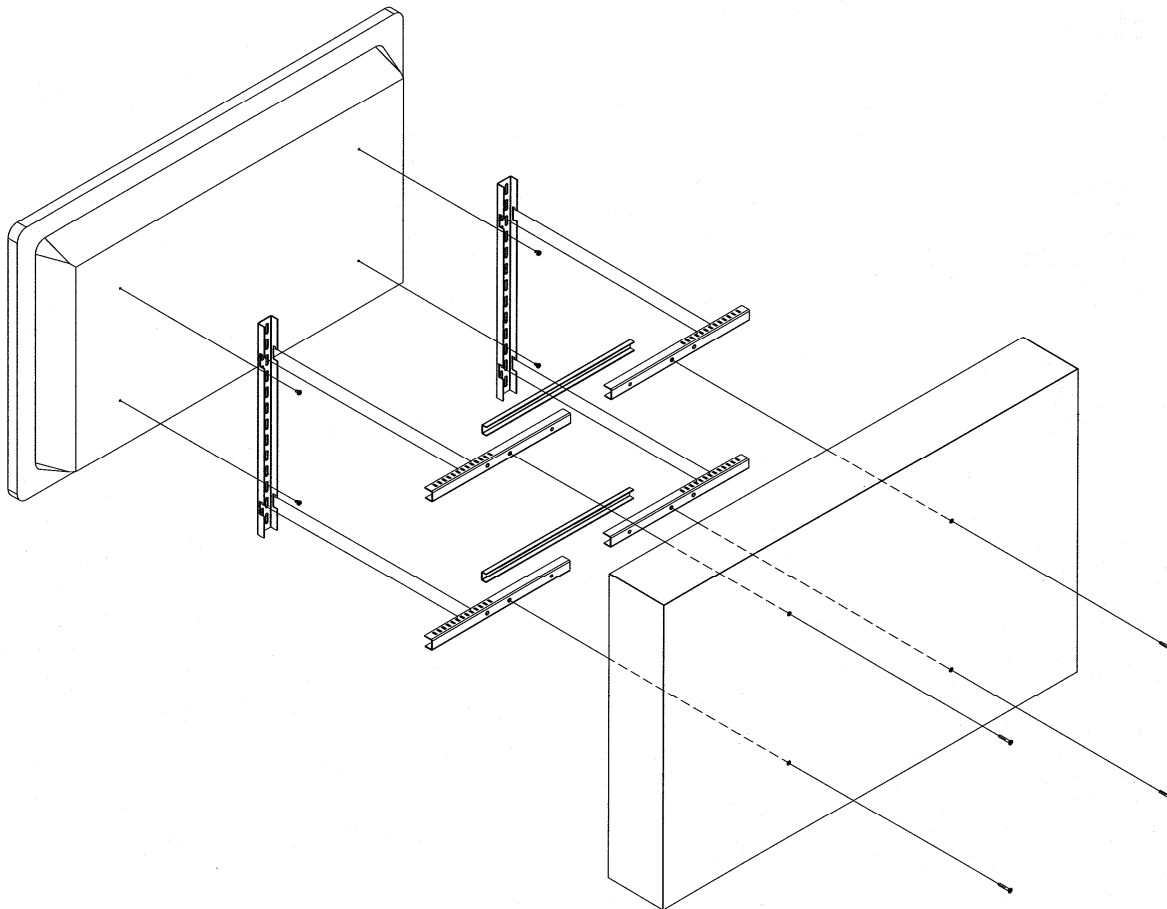




**TV UNIVERSAL  
MOUNTING SYSTEM  
P/N 900814-412-7**

**1648 West 134<sup>th</sup> Street, Gardena, California 90249  
(310) 808-0001 Fax (310) 808-9092 [www.inca-tvlifts.com](http://www.inca-tvlifts.com)**

The Universal Mounting System is designed to attach to the back of a flatscreen and then adapt it to directly mount inside of an enclosure, which can be mounted to our other types of automation products: TV lifts, TV lift and swivels, Wall Mount Corner Post Swivel systems, Side-slider pullout and tilting machines, etc. The entire assembly adds only 1" to the depth of the TV. Once installed inside an enclosure, this system allows the flatscreen to be quickly and easily removed, or replaced without any tools. The bracketry uses a "hook and hang" system, which allows the TV to be located easily within the enclosure.



The enclosure mounting models are available in two sizes. Both are universally adjustable to accommodate flatscreens from 32" to 61" in overall width.

<b>ITEM NUMBER</b>	<b>MOUNTS TV DISPLAY</b>
<b>900814-412-7</b>	<b>32" thru 50"</b>
<b>900814-412-7-A</b>	<b>50" thru 61"</b>