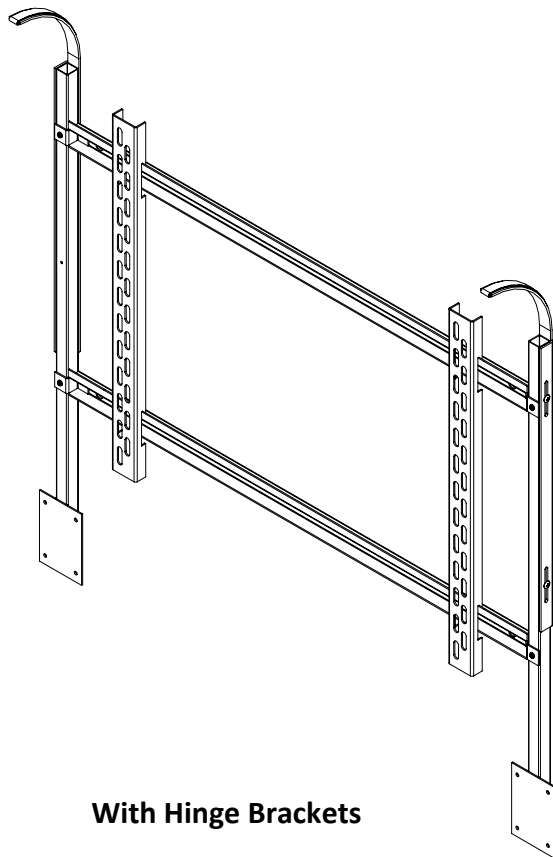




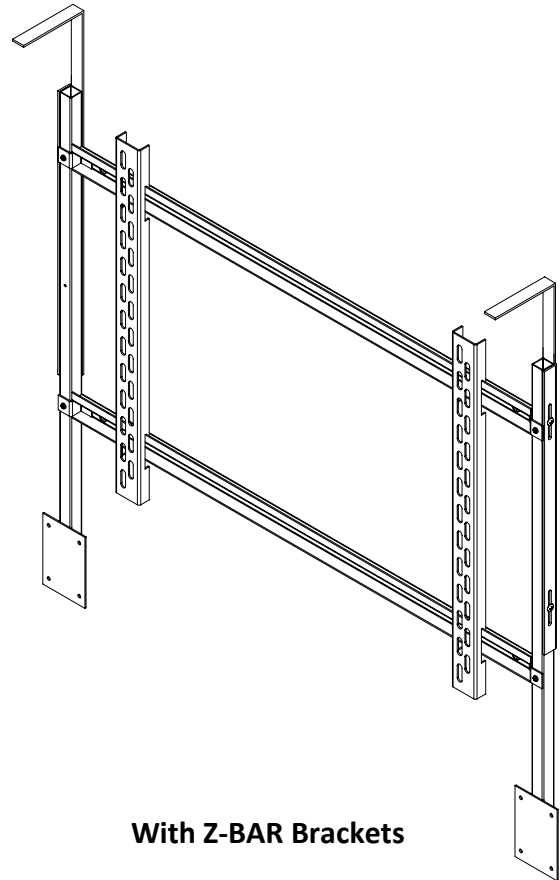
FLAT SCREEN TV UNIVERSAL MOUNTING SYSTEM
P/N 900814-412-8

1648 West 134th Street, Gardena, California 90249
 (310) 808-0001 Fax (310) 808-9092 www.inca-tvlifts.com

The Flat Screen TV Mounting System P/N 900814-412-8 is designed to attach to the back of a flat screen TV and then hang the TV on a self-contained frame that is mounted to an INCA Flat Screen TV lift. The rigid, heavy-duty steel frame is epoxy-coated, semi-gloss black, and shipped knock-down for fast field assembly. The entire assembly adds only 1.00” to the depth of the TV. The bracketry uses a ‘hook and hang’ system, which allows the TV to be easily installed on the frame. These detachable-curved brackets can be used to swing open a door when installed inside a cabinet to allow the TV to rise through the opening while “z-bar” brackets are used when the top finish material rises with the lift. The frame accommodates flat screen TVs up to and including 50” in overall width.



With Hinge Brackets



With Z-BAR Brackets

ITEM NUMBER	MOUNTS FLAT SCREEN TV
900814-412-8	Up to 50”
900814-412-9	50” thru 60”
900814-412-10	60” thru 72”

FLAT SCREEN TV MOUNTING SYSTEM P/N 900814-412-8

