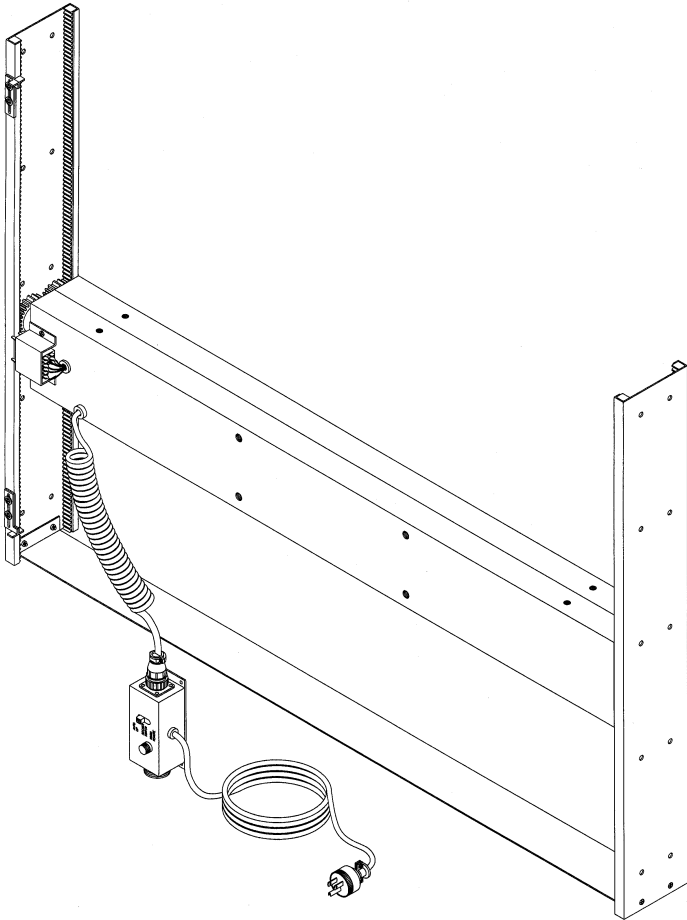




FLATSCREEN TV LIFT P/N 900814

1632-1/2 West 134th Street, Gardena, California 90249
(310) 808-0001 Fax (310) 808-9092 www.inca-tvlifts.com

The Inca family of TV Lifts: P/N 900814, and all models thereof, are specifically designed to move flatscreens from concealments to any desired viewing position. The lift side panels are fabricated from aluminum and moving bar assembly is only 3.75" deep, front to back and 4.25" in height. The moving bar contains the motor and drive assembly as well as the external limit switch package. Inserts are included to mount a manual or automatic flat screen line swivels on it. All units are wired UJBX to allow the attachment of any Inca flat screen line accessory or control such as: a radio remote, infrared, dry contact or a 12 VDC external controller. Standard sizes include models to fit the 32", 42", 50", and 61" TV displays. The external junction box is on a cable/coil cord and it is on this J-Box that control accessories are connected. Also located on the J-box are the fuse, "auto up" switch, and a selector to choose between connected controllers.



External limit switches are easily adjustable and are very reliable. Standard lifts have a lift capacity of 200 or 300 pounds. Two each 1/4 - 20 pem nuts are provided on each end of the moving platform to mount the enclosure that holds the flatscreen. This lift is shipped knocked down, with a packed weight less than 70 pounds. **An enclosure is not supplied unless specified.**

ITEM NUMBER	DESCRIPTION	OVERALL WIDTH	PLATFORM WIDTH	PLATFORM DEPTH	OVERALL HEIGHT	TRAVEL HEIGHT
900814-32A	For 32" TV	42.125"	39.50"	3.75"	31.25"	27.00"
900814-42A	For 42" TV	50.125"	47.50"	3.75"	36.50"	32.25"
900814-50B	For 50" TV	56.00"	53.375"	8.50"	39.75"	36.75"
900814-61SCA*	For 61" TV	63.875"	61.25"	8.50"	41.625"	38.625"
900814-400	For Custom-size	Varies	Varies	Varies	Varies	Varies

* To accommodate a flatscreen greater than 54" in size, the 900814-61 is designed different from the other standard TV lift units.

FLATSCREEN TV LIFT P/N 900814

