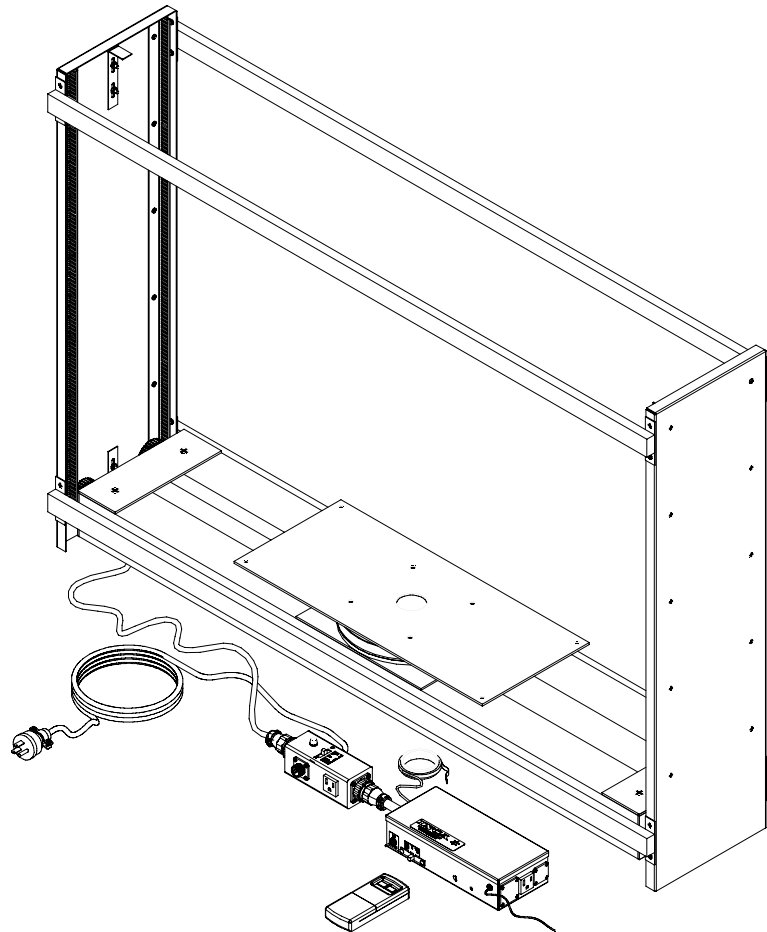




**INCA 'ADVANTAGE PLUS' 50" PLASMA TV LIFT
WITH SWIVEL
P/N 900828-2SA**

1648 West 134th Street, Gardena, California 90249
(310) 808-0001 Fax (310) 808-9092 www.inca-tvlifts.com



The Inca 'Advantage Plus' family of Plasma TV Lifts is specifically designed to accommodate the needs of a furniture manufacturer or cabinetmaker. The Advantage Plus P/N 900828-2SA can accept an automatic swivel, and covers all 50" plasma TVs with enclosures that weigh up to 200 lbs. These units are available 'knock down' for convenience in shipping. All units include a radio remote control and Inca's new touch-stop sensing technology that will reverse the downward motion of the machine if someone were to touch the sensor. Also included is a complete universal mounting frame to mount and support the plasma TV. All units are finished in semi-gloss black. **An enclosure is not supplied unless specified.**

This product is American-made, and bears a full two year warranty, backed by a network of over 1000 Inca dealers nationwide.

MODEL	OVERALL DIMENSIONS	PLATFORM DIMENSIONS	SWIVEL	TRAVEL	CAPACITY
900828-2SA	56.0"W x 10.25"D x 40.00"H	53.375"W x 8.50"D x 4.5"H	YES	34.125"	200 lbs.

INCA 'ADVANTAGE PLUS' 50" PLASMA TV LIFT WITH SWIVEL P/N 900828-2SA

