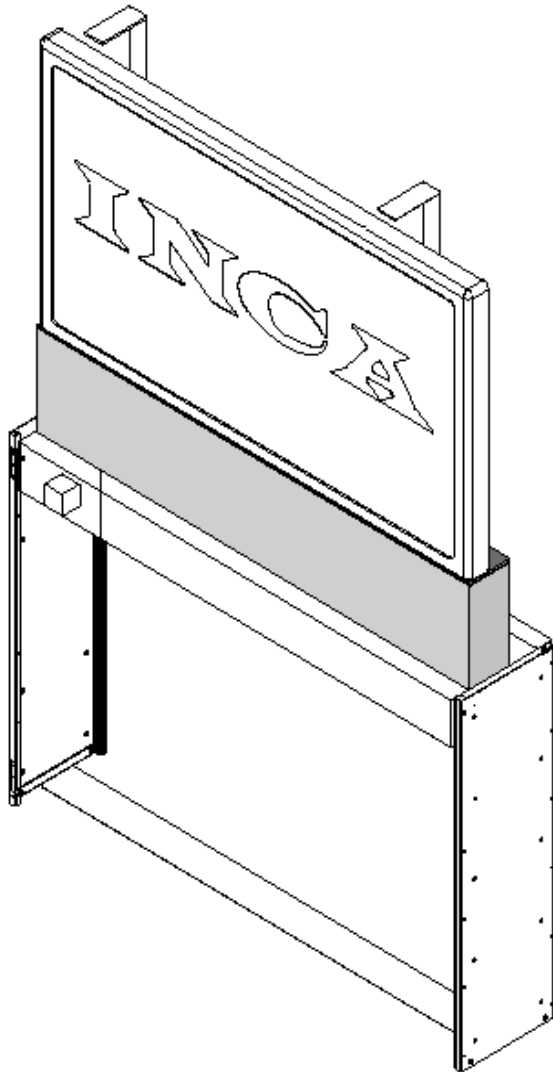




**FLAT SCREEN TV FLOOR LIFT
WITH BOX EXTENSION SECTION**

P/N: FL-400

1648 West 134th Street, Gardena, California 90249
(310) 808-0001 Fax (310) 808-9092 www.inca-tvlifts.com



The Inca Flat Screen TV Floor Lift with Box Extension section, P/N FL-400 provides a positive means of storing a flat screen TV display in the floor and then raising it to a desired viewing height. The lift side panels are fabricated from aluminum and moving bar assembly is 8.5” – 10.0” front to back and 3.0” in height. The moving bar contains the motor and drive assembly as well as the external limit switch package. All units are wired UJBX to allow the attachment of any Inca accessory or control such as: dry contact, power sensor, radio remote and rocker switch. The j-box comes with a built-in rocker switch to allow for up and down movement. The lift is shipped knock down. As an optional accessory, Inca can provide an enclosure for the TV to be mounted, and the extension section can be fabricated to any dimension to provide additional travel and meet the desired viewing position.

ITEM NUMBER	DESCRIPTION	OVERALL WIDTH	PLATFORM WIDTH	DEPTH	OVERALL HEIGHT	TRAVEL HEIGHT
FL-55	For 55” TV	54.625”	52.000”	8.500”	59.250”	56.250”
FL-65	For 65” TV	63.875”	61.250”	8.500”	65.625”	62.625”
FL-75	For 75” TV	68.625”	66.000”	10.000”	69.250”	66.250”
FL-85	For 85” TV	79.625”	77.000”	10.000”	74.750”	71.750”
FL-400	For Custom-size	Varies	Varies	Varies	Varies	Varies