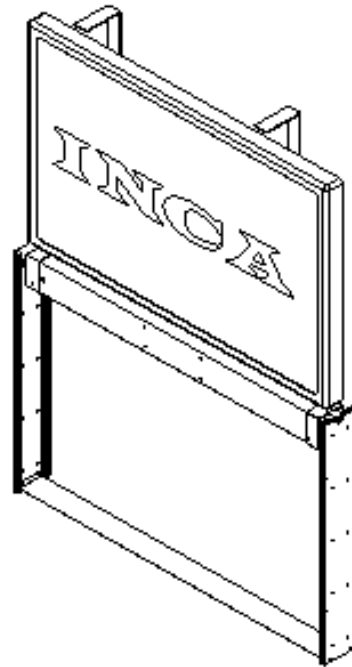
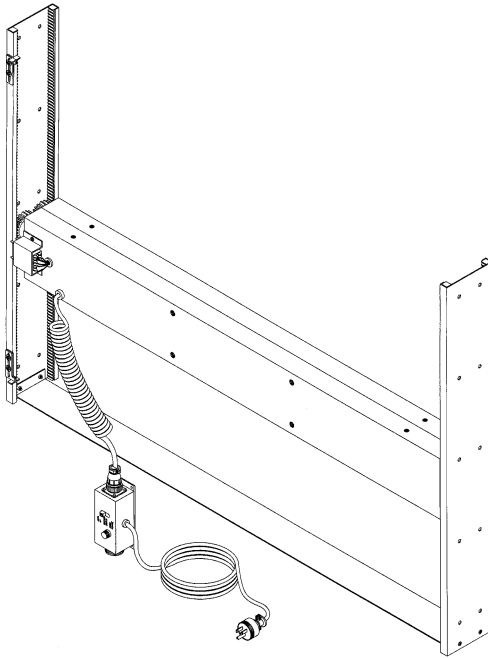




## FLATSCREEN TV LIFT (PL Series)

1648 West 134<sup>th</sup> Street, Gardena, California 90249  
(310) 808-0001 Fax (310) 808-9092 [www.inca-tvlifts.com](http://www.inca-tvlifts.com)

The Inca flat screen line family of TV Lifts: P/N PL-22, 32 and 46, and all models thereof are specifically designed to move flat screen TV displays from concealments to any desired viewing position. The lift side panels are fabricated from aluminum and moving bar assembly is only 3.75" deep, front to back and 4.00" in height. The moving bar contains the motor and drive assembly as well as the external limit switch package. All units are wired UJBX to allow the attachment of any Inca accessory or control such as: a radio remote, infrared, dry contact or a 12 VDC external controller. Standard sizes include models to fit the 22", 32" and 46" flat screen TV displays. The external junction box is on a cable/coil cord and it is on this J-Box that control accessories are connected. Also located on the J-box are the fuse, override switch, and a selector to choose between connected controllers. External limit switches are easily adjustable and are very reliable. Standard lifts have a lift capacity of 100 lbs. The lift is shipped knocked down, with a packed weight of less than 70 pounds.



ITEM NUMBER	DESCRIPTION	OVERALL WIDTH	PLATFORM WIDTH	DEPTH	OVERALL HEIGHT	TRAVEL HEIGHT
PL-22	For 18-24" TV	24.000"	21.375"	3.000"	24.000"	20.875"
PL-32	For 30-40" TV	35.125"	32.625"	3.000"	25.250"	21.250"
PL-46	For 46-50" TV	50.125"	47.500"	3.750"	34.000"	29.750"
PL-400	For Custom-size	Varies	Varies	Varies	Varies	Varies