



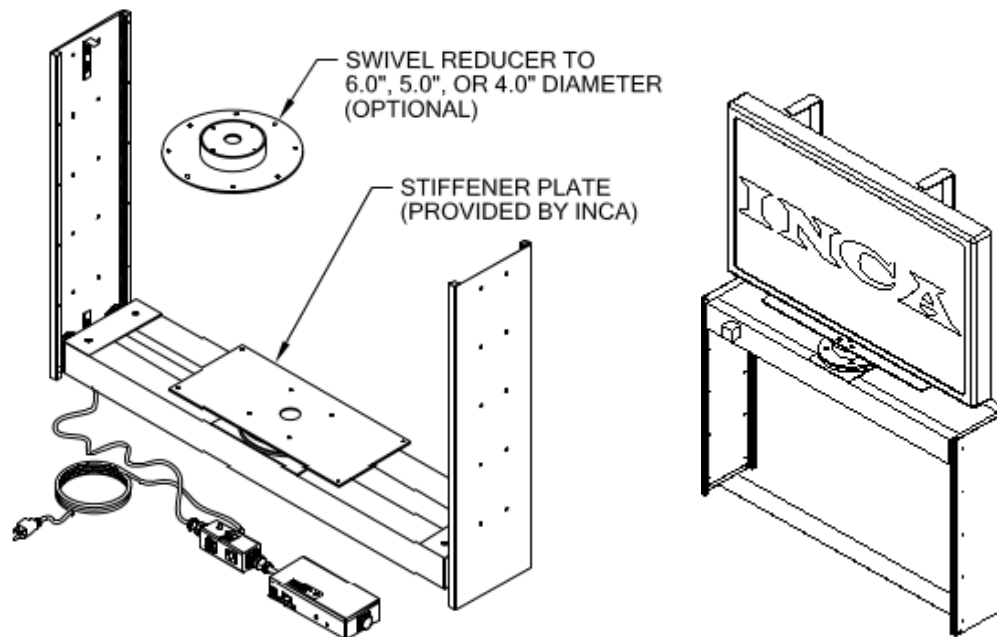
"MASTERS OF AUTOMATION"

FLATSCREEN LIFT WITH SWIVEL (PL Series with Swivel)

1648 West 134th Street, Gardena, California 90249
(310) 808-0001 Fax (310) 808-9092 www.inca-tvlifts.com

The Inca lift is specifically designed to move flat screen TVs from concealments to any desired viewing position. The lift side panels are fabricated from aluminum and the CRS steel moving bar assembly is 8.50" or 10.00" in depth, front to back and 3.00" in height. The moving bar contains the motor and drive assembly as well as the external limit switch package. Includes an automatic swivel mechanism. All units are wired UJBX to allow the attachment of an Inca line accessory or control such as: a radio remote or dry contact controller. The external junction box is on cable/coil cord and it is on this J-Box that control accessories are connected. Also located on the J-box are the fuse, override switch, selector to choose between connected controllers, and a built-in rocker switch. External limit switches are easily adjustable and are very reliable. This lift is shipped knocked down, with a packed weight less than 90 lbs.

UNIT USES 110VAC
DRAWING IS NOT TO SCALE



ITEM NUMBER	DESCRIPTION	OVERALL WIDTH	PLATFORM WIDTH	PLATFORM DEPTH	OVERALL HEIGHT	TRAVEL HEIGHT
PL-55SA	LIFT	56.00"	53.375"	8.50"	39.75"	36.75"
PL-65SA	LIFT	63.875"	61.250"	8.50"	41.625"	38.625"
PL-75SA	LIFT	68.625"	66.125"	10.00"	47.875"	44.875"
PL-85SA	LIFT	79.625"	77.000"	10.00"	53.375"	50.375"
PL-400-SA	LIFT	VARIES	VARIES	VARIES	VARIES	VARIES