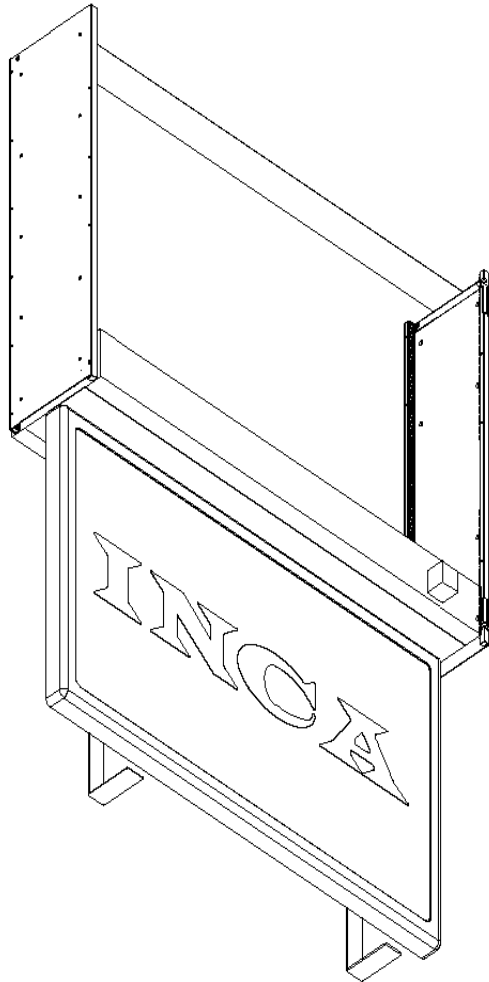




FLATSCREEN TV CEILING LIFT (CL Series)

1648 West 134th Street, Gardena, California 90249
(310) 808-0001 Fax (310) 808-9092 www.inca-tvlifts.com



The Inca flat screen line family of TV Lifts: P/N CL-55, 65, or up to 110, and all models thereof are specifically designed to move flat screen TV displays from concealments to any desired viewing position. The lift side panels are fabricated from aluminum and moving bar assembly is only 8.50"-10.00" deep, front to back and 3.00" in height. The moving bar contains the motor and drive assembly as well as the external limit switch package. All units are wired UJBX to allow the attachment of any Inca accessory or control such as: a radio remote, infrared, dry contact or a 12 VDC external controller. Standard sizes include models to fit the 55", 65", and over 65" are custom made up to 110" flat screen TV displays. The external junction box is on a cable/coil cord and it is on this J-Box that control accessories are connected. Also located on the J-box are the fuse, override switch, and a selector to choose between connected controllers. External limit switches are easily adjustable and are very reliable. Standard lifts have a lift capacity of 200-300 lbs. The lift is shipped knocked down, packed in a box for 55" and 65" and for over 65" are packed in a crate.

ITEM NUMBER	DESCRIPTION	OVERALL WIDTH	PLATFORM WIDTH	DEPTH	OVERALL HEIGHT	TRAVEL HEIGHT
CL-55	For 50"-55" TV	52.000"	49.375"	8.500"	33.875"	30.875"
CL-65	For 60"-65" TV	60.500"	57.875"	8.500"	38.500"	35.500"
CL-400	For Custom-size	Varies	Varies	Varies	Varies	Varies